



PARS LENT

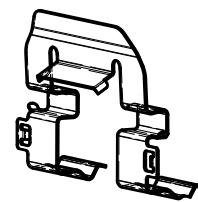
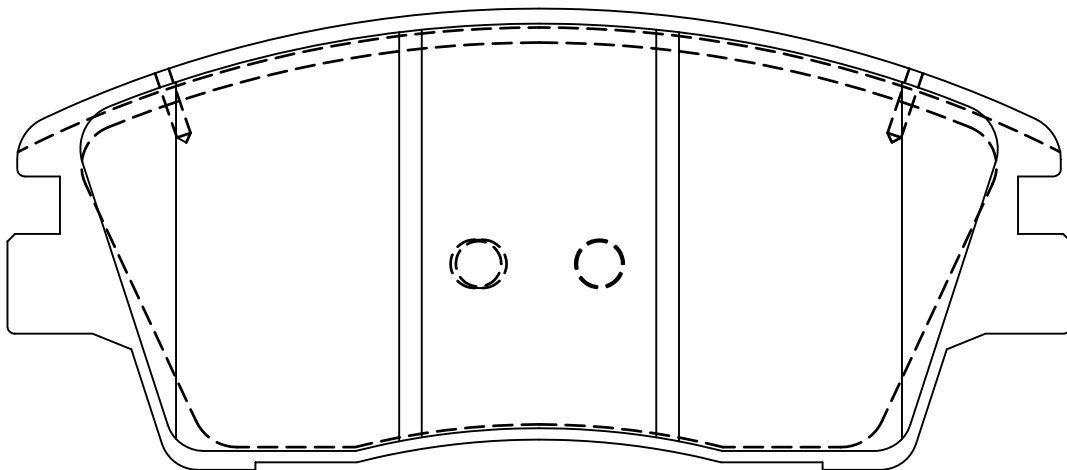
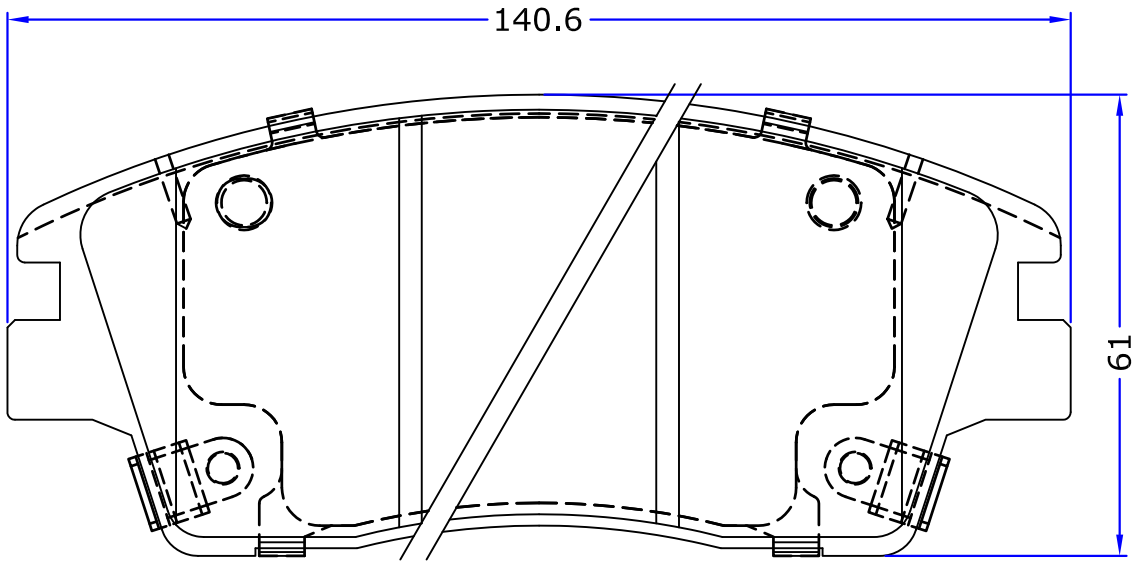
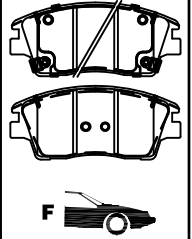
BRAKE PADS

PL 80167

WVA No. :

THK : 17.7 mm

KIA (SPORTAGE 2016 NEW_IX35 2016 NEW)



4x

SET : 2 PIECES WITHOUT WEAR INDICATOR SPRING
1 PIECE WITH RIGHT WEAR INDICATOR SPRING
1 PIECE WITH LEFT WEAR INDICATOR SPRING