



PARS LENT

BRAKE PADS

PL 24014

WVA No. : 24014

THK : 15.3 mm

CHRYSLER

200 Convertible, 01/10 -
 200 Saloon, 01/10 -
 SEBRING (JS), 09/06 - 12/1
 SEBRING Convertible (JS), 05/07 - 12/10

DODGE

AVENGER, 06/07 -
 CALIBER, 06/06 -

HYUNDAI

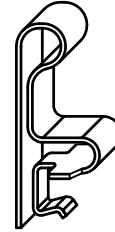
JEEP

COMPASS (MK49), 08/06 -
 PATRIOT (MK74), 02/07 -

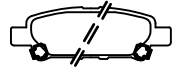
MITSUBISHI

LANCER VII (CS_A, CT_A), 03/00 -
 LANCER VIII (CY_A, CZ_A), 03/07 -
 LANCER VIII Estate (CV_), 09/08 -
 LANCER VIII Sportback (CX_A), 10/07 -
 OUTLANDER I (CU_W), 03/01 - 12/06

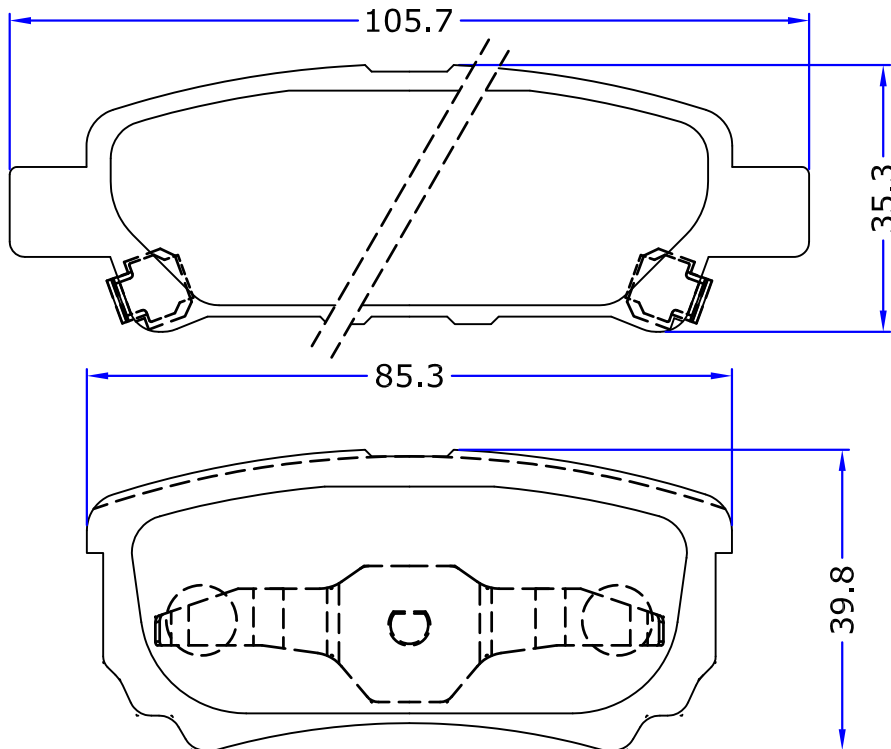
HYUNDAI



2x



AKEBONO



- OE REF :**
- CHRYSLER**
 - 05191271AC
 - DODGE**
 - 05191271AA
 - 05191271AB
 - 5191271AC
 - JEEP**
 - 5191271AA
 - 5191271AB
 - MITSUBISHI**
 - 4605A336
 - 4605A337
 - 4605A479
 - 4605A493
 - 4605A558
 - 5191217AC
 - MN116929
 - MR955068
 - MZ690187
 - MZ690350

SET : 1 INNER PIECE WITH RIGHT WEAR INDICATOR SPRING
 1 INNER PIECE WITH LEFT WEAR INDICATOR SPRING
 2 OUTER PIECES WITH PISTON LOCATOR SPRING