



PARS LENT

BRAKE PADS

PL 38338 (29125)

WVA No. : 29125

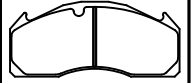
THK : 29 mm

ARVIN MERITOR (D-Duco - Brake - Volvo, -)

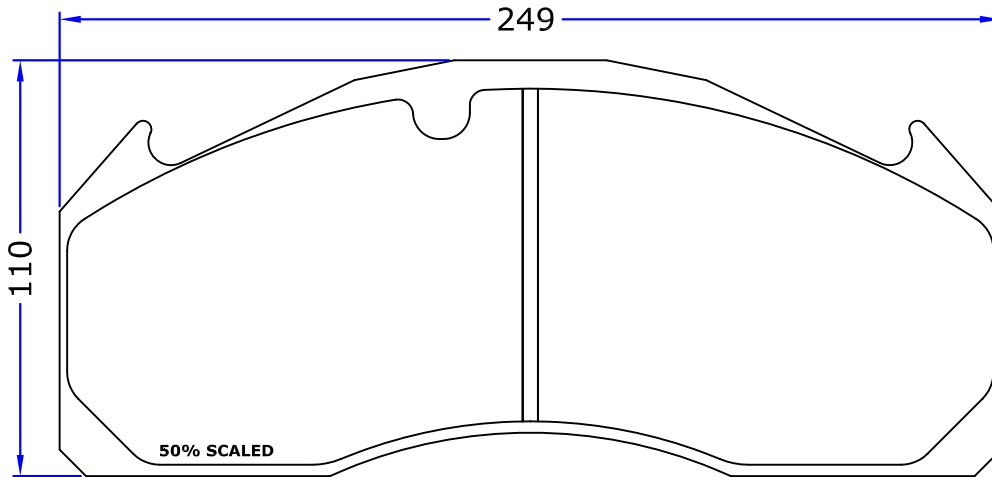
PLAXTON (ELITE, 11/08 - , PANTHER, 10/99 -)

ROCKWELL (D-DUCO LM/TA, -)

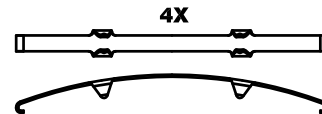
VOLVO (9700, 04/01 - ,9900, 10/01 - , B 12 M - Series, - , B 12, 01/92 - , B 9, 01/02 - , ECLIPSE, - , FH 12, 08/93 - , FH 16, 08/93 - , FL, 03/00 - , FM 12, 08/98 - 09/05 , FM 9, 12/01 - 09/05)



**MERITOR
D-DUCO**



4 PIECES



**OE REF:
VOLVO**
20768092
20918891
20931343
209313430
20932682
3095396

WWW.PARSLENT.COM