



PARS LENT

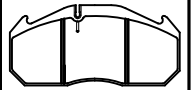
BRAKE PADS

PL 29084

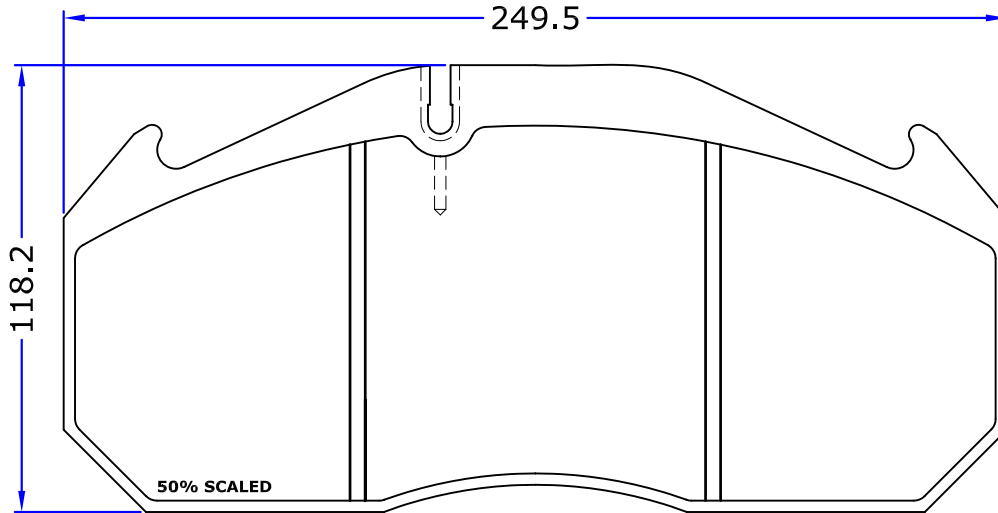
WVA No. : 29084

THK : 30 mm

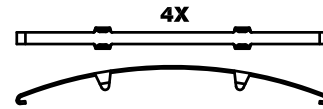
ARVIN MERITOR (D3 - Brake - Mercedes-Benz, -)
MERCEDES-BENZ (O 340, 01/91 - 06/95, O 404, 09/91 - 10/99, TOURISMO (O 350), 09/94 -)



MERITOR D-3



4 PIECES



OE REF :
EVOBUS
82854084630
MAN
81508206016
81508206046
MERCEDES-BENZ
0024200820
0024205520
0034205520
A0024200820
A0024205520
A0034205520
SETRA
8285526000

WWW.PARSLENT.COM