



PARS LENT

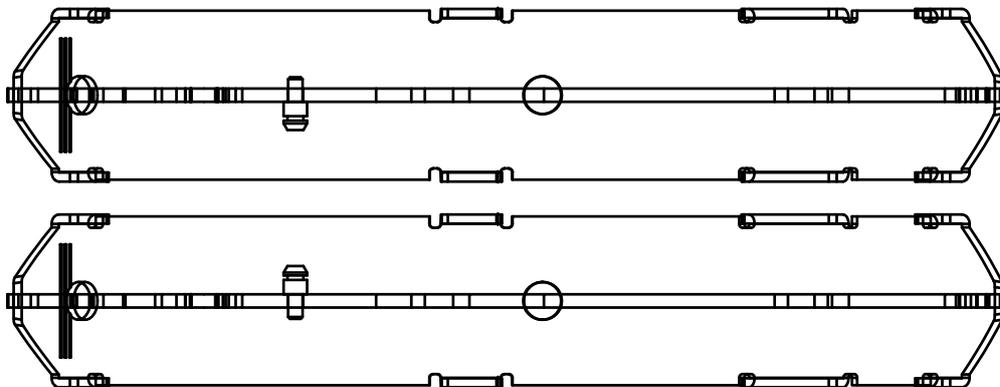
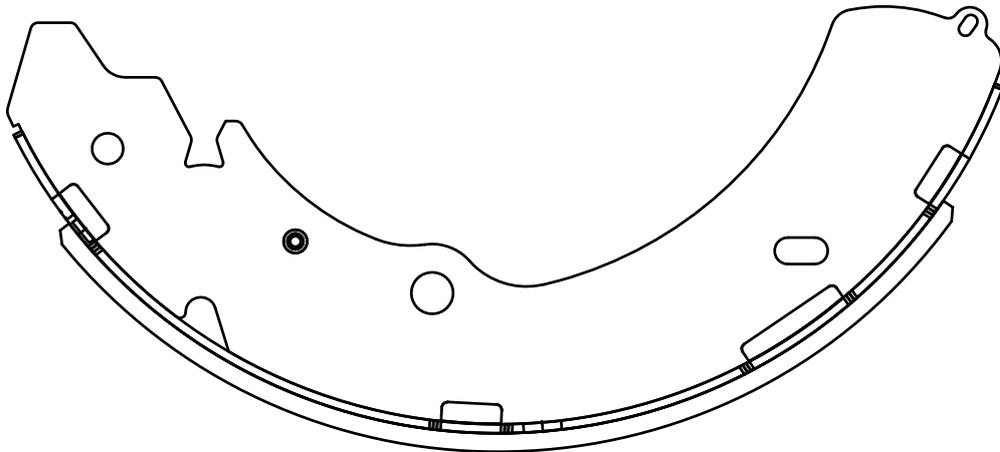
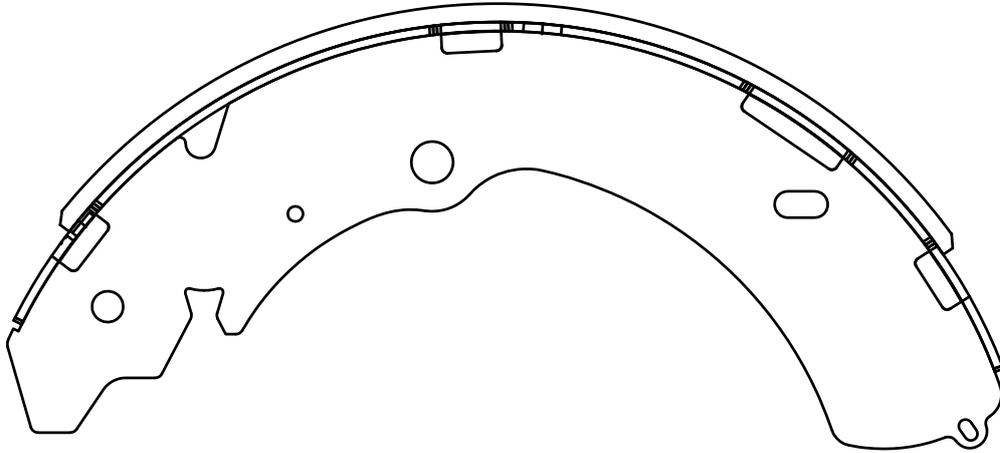
BRAKE PADS

PL 71066

WVA No. : 10705

Ø 295 x w 46mm

GREAT WALL (WINGLE PICKUP)
ISUZU



2 PIECES WITHOUT PIN
1 PIECE WITH RIGHT PIN
1 PIECE WITH LEFT PIN

50% SCALED

OEM Ref.
ISUZU
8980180360