



PARS LENT

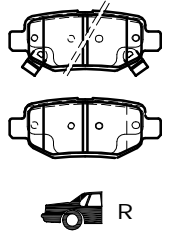
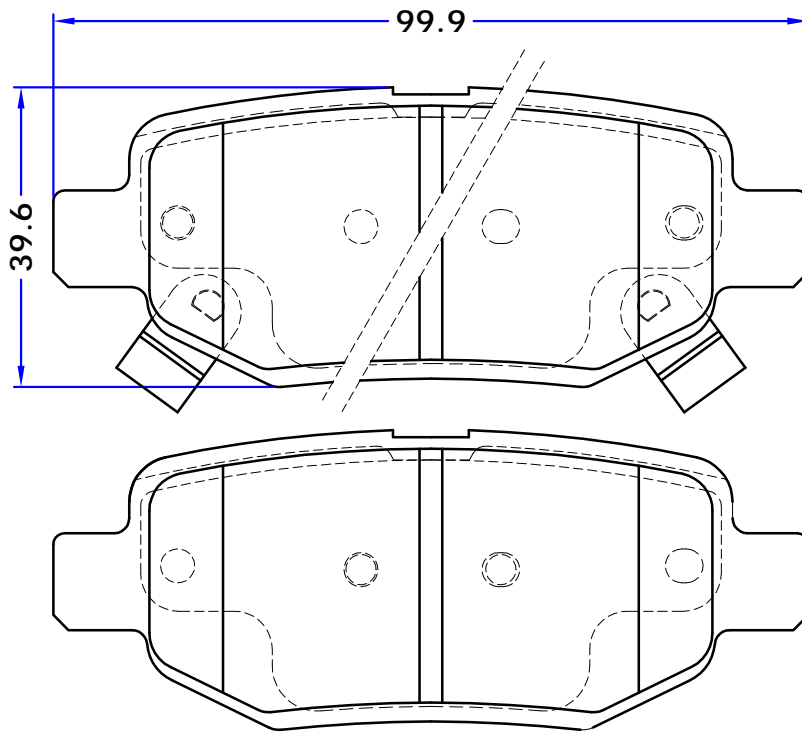
BRAKE PADS

PL 80164

WVA No. :

THK : 17.2 mm

CHERRY
LIFAN (X60)



- 2 OUTER PIECES
- 1 INNER PIECE WITH RIGHT WEAR INDICATOR SPRING
- 1 INNER PIECE WITH LEFT WEAR INDICATOR SPRING

WWW.PARSLENT.COM