



PARS LENT

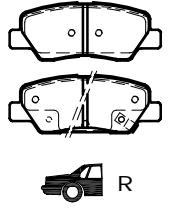
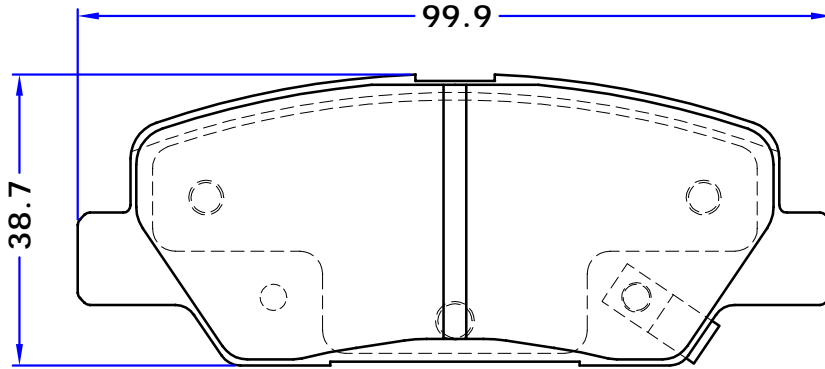
BRAKE PADS

PL 80135

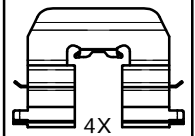
WVA No. : -----

THK : 16.7 mm

RUNNA



- 2 OUTER PIECES
- 1 INNER PIECE WITH RIGHT WEAR INDICATOR SPRING
- 1 INNER PIECE WITH LEFT WEAR INDICATOR SPRING



WWW.PARSLENT.COM