



PARS LENT

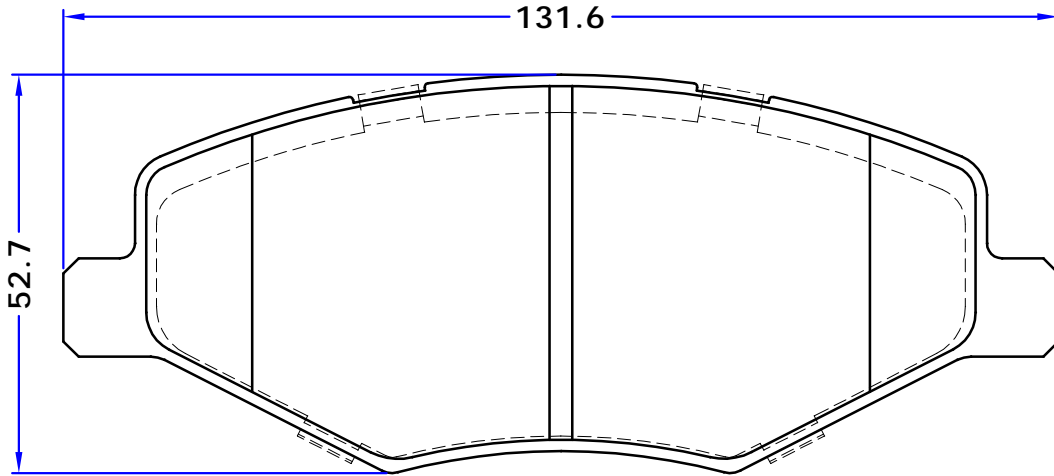
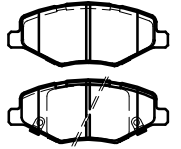
BRAKE PADS

PL 80123

WVA No. : -----

THK : 15.7 mm

CHERY



- 2 OUTER PIECES
- 1 INNER PIECE WITH RIGHT WEAR INDICATOR SPRING
- 1 INNER PIECE WITH LEFT WEAR INDICATOR SPRING

WWW.PARSLENT.COM