



PARS LENT

BRAKE PADS

PL 80114

WVA No. : -----

THK : 16.4 mm

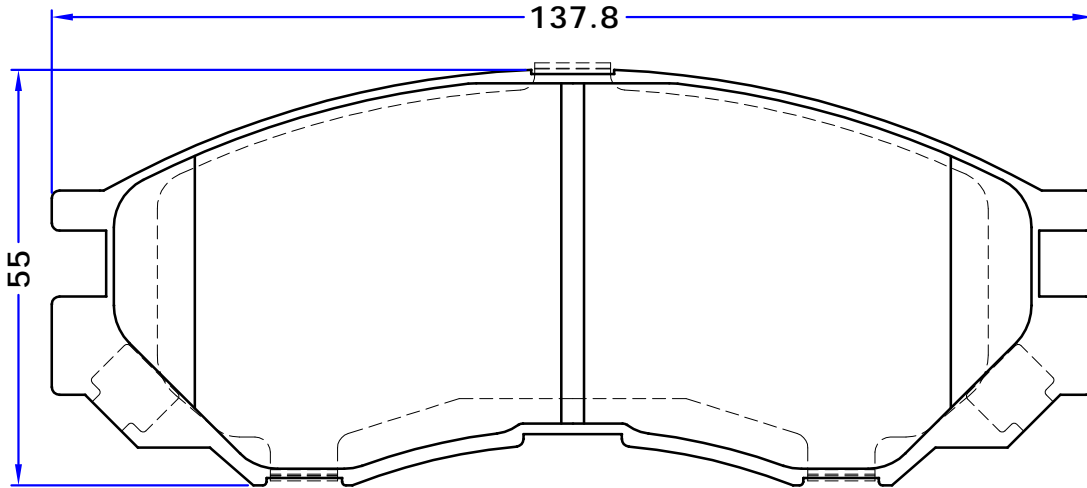
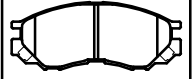
CASPIAN (VAN)
MAZDA (KAPRA)
MITSUBISHI

L 200 (K7_T, K6_T), 06/96 - 03/03

L 300 Platform/Chassis (P1_T), 04/94 -

L 400 / SPACE GEAR Bus (PD_W, PC_W, PA_V, PB_V), 09/95 -

L 400 Box (PD_W, PC_W, PB_V, PA_W, PA_V), 06/96 -



4X

4X

4 PIECES

WWW.PARSLENT.COM