



# PARS LENT

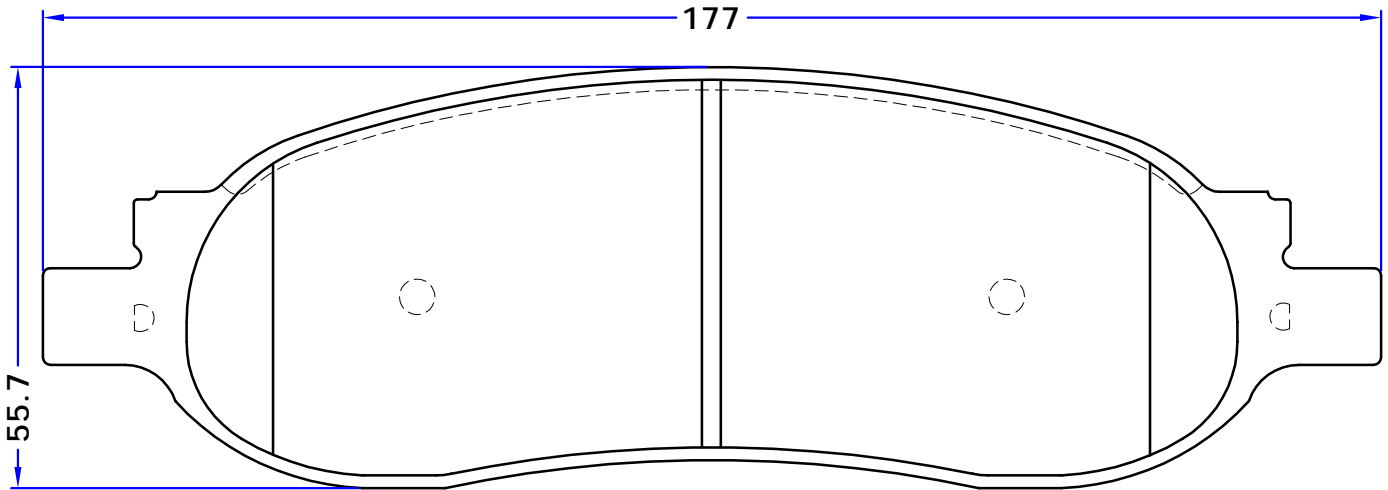
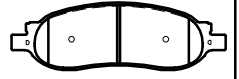
BRAKE PADS

PL 80110

WVA No. : -----

THK : 20.4 mm

FORD



4 PIECES

[WWW.PARSLENT.COM](http://WWW.PARSLENT.COM)