



PARS LENT

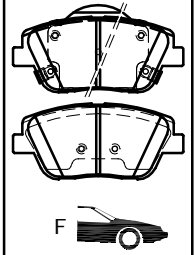
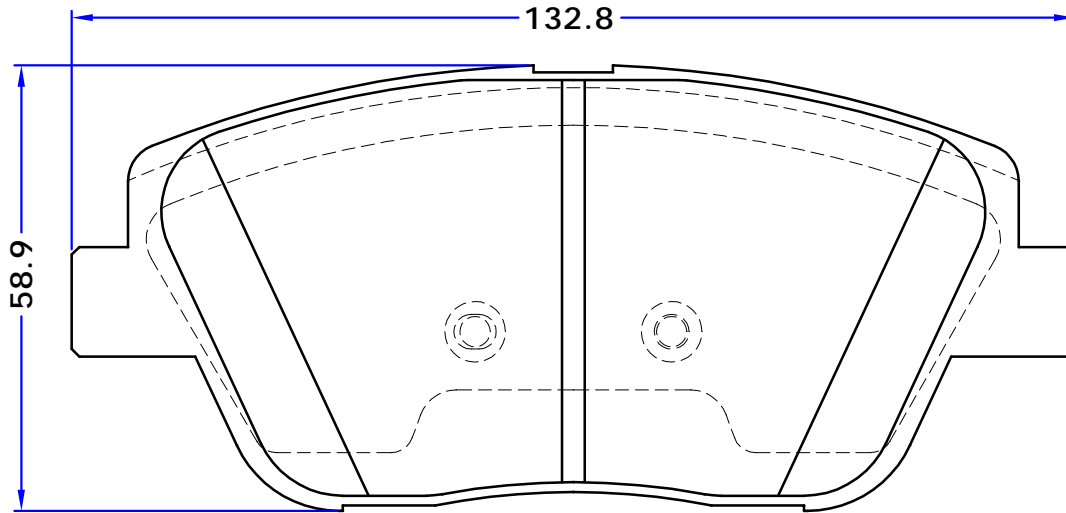
BRAKE PADS

PL 80143

WVA No. : 25644

THK : 17.8 mm

HYUNDAI
AZERA (GRANDEUR IMPORTED)
GRANDEUR (HG), 01/11 -
KIA
OPTIMA, 01/10 -



- 2 OUTER PIECES
- 1 INNER PIECE WITH RIGHT WEAR INDICATOR SPRING
- 1 INNER PIECE WITH LEFT WEAR INDICATOR SPRING

OE REF :
HYUNDAI
581013VA50
KIA
581012TA50
581013QA50
581013VA50
581014UA00

WWW.PARSLENT.COM