



# PARS LENT

## BRAKE PADS

**PL 80001**

**WVA No. : 25125**

**THK : 13 mm**

**BUICK** (ROADMASTER Saloon, 10/92 - 09/96)

**CADILLAC**

FLEETWOOD Saloon, 09/92 - 09/97

FLEETWOOD Saloon, 09/76 - 12/86

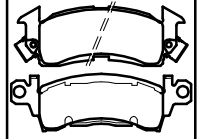
FLEETWOOD Saloon, 09/88 - 12/93

**CHEVROLET**

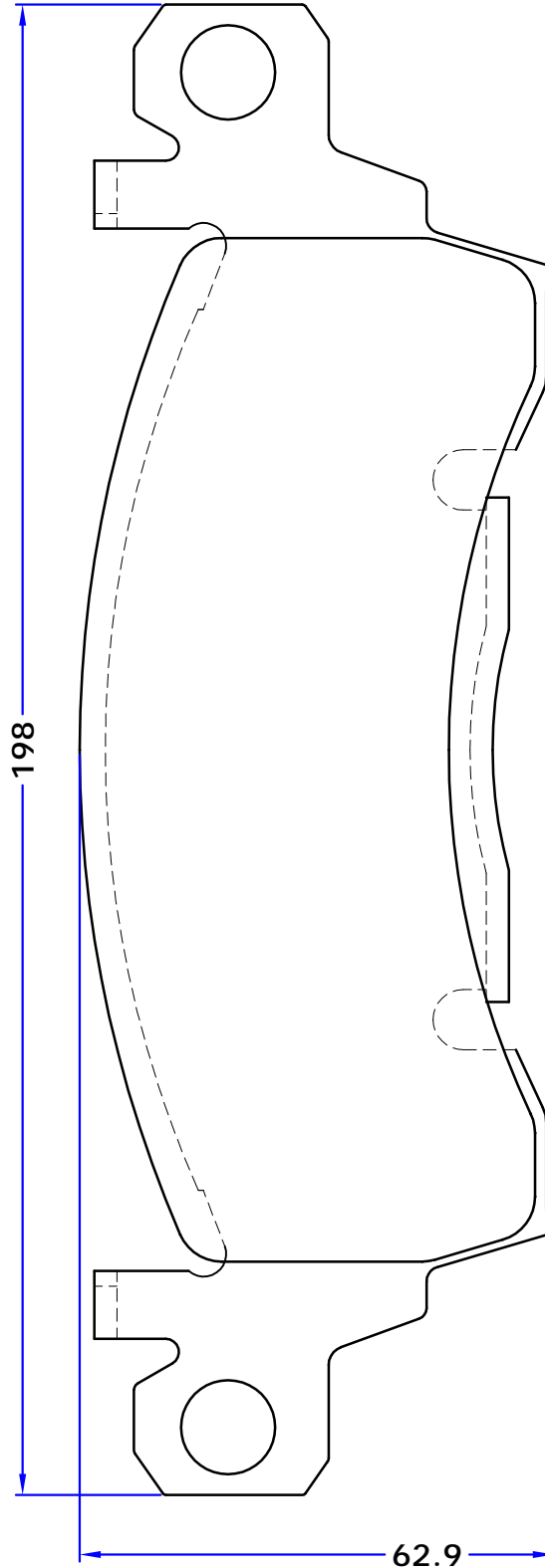
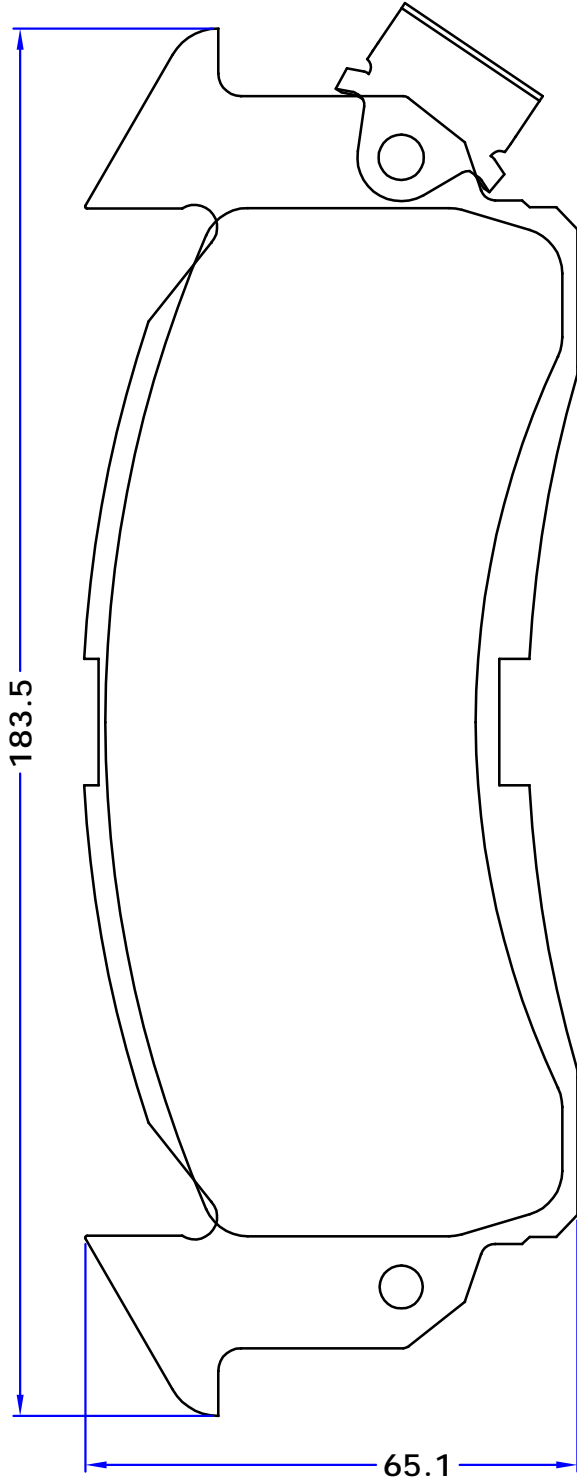
CAPRICE CLASSIC Estate, 10/90 - 09/96

CAPRICE CLASSIC Saloon (1BL\_), 10/90 - 09/96

**GMC**



Kelsey-Hayes



- 2 OUTER PIECES
- 1 INNER PIECE WITH RIGHT WEAR INDICATOR SPRING
- 1 INNER PIECE WITH LEFT WEAR INDICATOR SPRING

**OE REF :**

**BUICK**

01154578

1154578

18024921

18024927

**CADILLAC**

1155332

12321458

12510010

**CHEVROLET**

01154458

01155332

12300192

12321436

12510015

12510038

18004633

**GMC**

12300213

**JEEP VIASA**

8130363

**PONTIAC**

12300220