



PARS LENT

BRAKE PADS

PL 24342

WVA No. : 24342

THK : 18.2 mm

ACURA

RDX, 04/06 - 12/12-

HONDA

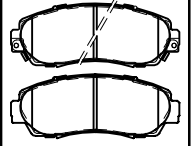
CR-V III (RE), 06/06 -

CR-V IV (RE_), 01/12 -

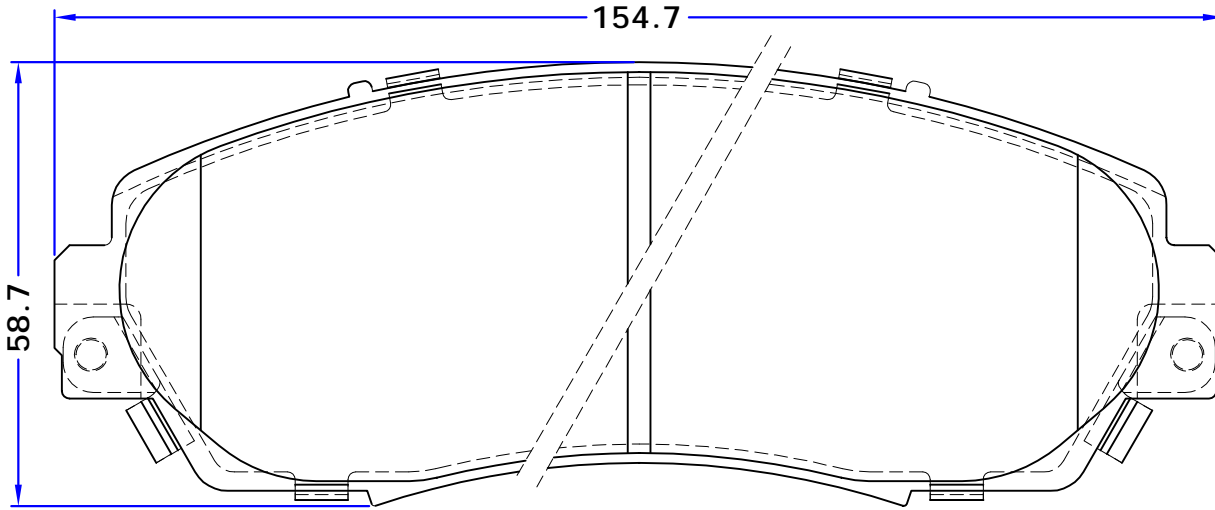
CROSSTOUR, 09/09 -

ODYSSEY (RL5), 08/10 -

GREAT WALL (H6)



AKEBONO



OE REF :

ACURA

45022SHJ405

45022SHJ415

45022SHJA50

45022STKA00

HONDA

45022SHJA00

45022TOAA00

45022T1GG00

45022T1GG01

45022TK8A00

45022TK8A01

45022TP6A60

2 OUTER PIECES

1 INNER PIECE WITH RIGHT WEAR INDICATOR SPRING

1 INNER PIECE WITH LEFT WEAR INDICATOR SPRING

WWW.PARSLENT.COM