



PARS LENT

BRAKE PADS

PL 24283

WVA No. : 24283

THK : 16.5 mm

DAIHATSU

MATERIA (M4_), 10/06 -
SIRION (M3_), 01/05 -

MAZDA

2 (DE), 10/07 - 06/15

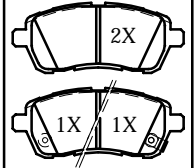
SUBARU

JUSTY IV, 01/07 -

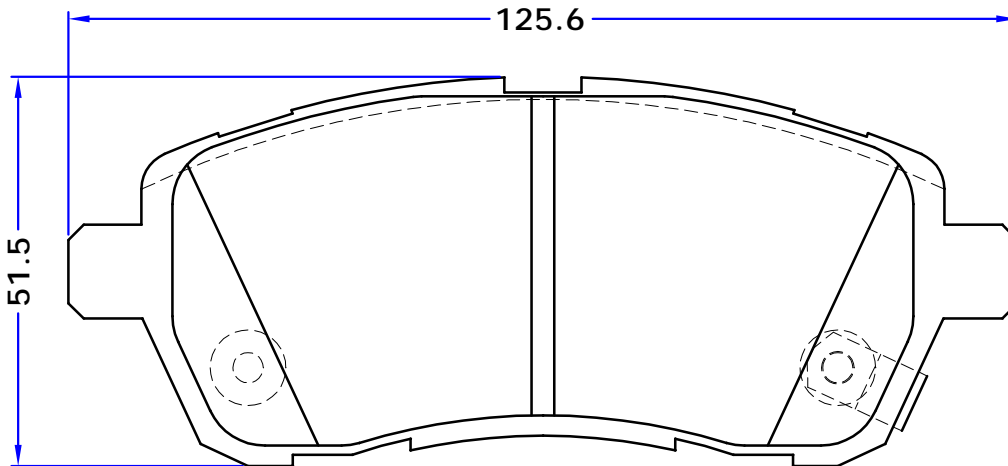
SUZUKI

BALENO (FW, EW), 02/16 -

SWIFT III IV (FZ, NZ), 10/10 -



LUCAS



OE REF :

DAIHATSU

04465B1190
04465B1191
04465B1380
04491B1120
4491B1121

MAZDA

DFY13328Z
DFY13328ZA
DFY13328ZA9C
DFY13329ZA
DFY13329ZB

MITSUBISHI

04465B1120
DFY13328Z

SUZUKI

5581068L00
5581068L00000
5581068L50
5581068L50000
5581071L51
55810M69P50

2 OUTER PIECES

1 INNER PIECE WITH RIGHT WEAR INDICATOR SPRING

1 INNER PIECE WITH LEFT WEAR INDICATOR SPRING

WWW.PARSLENT.COM