



PARS LENT

BRAKE PADS

PL 23990

WVA No. : 23990

THK : 20.5 mm

MERCEDES-BENZ

SPRINTER 2-t Box (901, 902), 01/95 - 05/06
 SPRINTER 2-t Bus (901, 902), 01/95 - 05/06
 SPRINTER 2-t Platform/Chassis (901, 902), 01/95 - 05/06
 SPRINTER 3-t Box (903), 01/95 - 05/06
 SPRINTER 3-t Bus (903), 01/95 - 05/06
 SPRINTER 3-t Platform/Chassis (903), 01/95 - 05/06
 V-CLASS (638/2), 02/96 - 07/03
 VITO / MIXTO Box (W639), 09/03 -
 VITO Box (638), 03/97 - 07/03

FREIGHTLINER

SPRINTER 2500 Cab & Chassis, 09/04 - 12/06,
 SPRINTER 2500 Standard Cargo Van, 09/01 - 12/06
 SPRINTER 2500 Standard Passenger Van, 09/01 - 12/06,
 SPRINTER 3500 Cab & Chassis, 09/04 - 12/06
 SPRINTER 3500 Standard Passenger Van, 09/04 - 12/05)

VOLKSWAGEN

LT Mk II Box (2DA, 2DD, 2DH), 04/96 - 07/06
 LT Mk II Bus (2DB, 2DE, 2DK), 04/96 - 07/06
 LT Mk II Platform/Chassis (2DC, 2DF, 2DG, 2DL, 2DM), 04/96 - 07/06

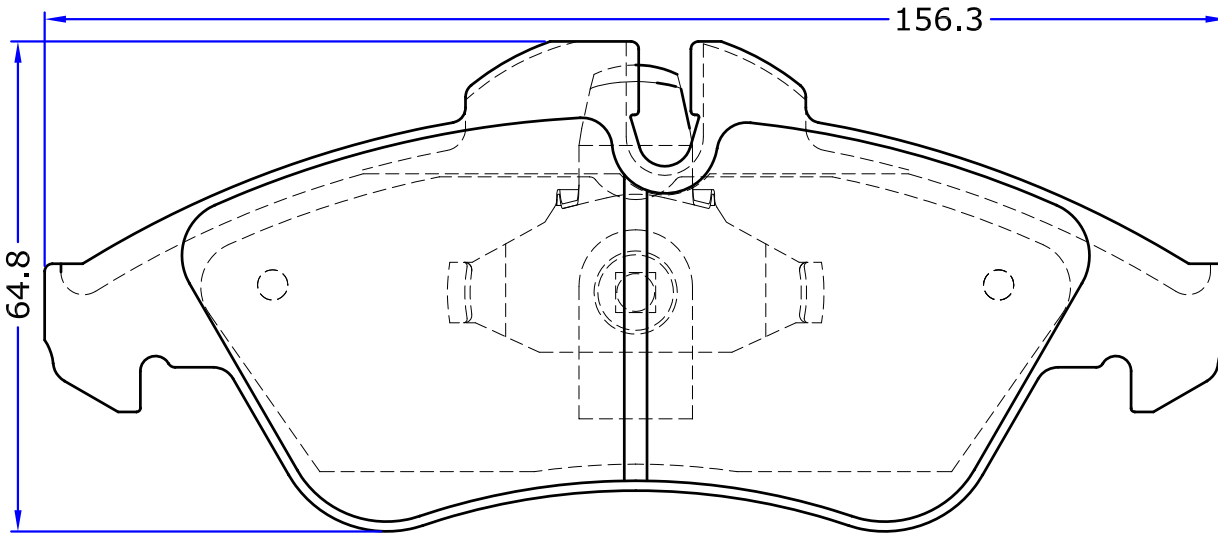


TEVES



OE REF:

- AUDI**
- 2D0698151
- 2D0698151C
- MERCEDES-BENZ**
- 0024203920
- 0024209920
- 0044205520
- 0084204220
- 9014210410
- 9014210510
- 9014210610
- A0024203920
- A0024209920
- A0044205520
- A0084204220
- A9014210410
- A9014210510
- A9014210610
- SEAT**
- 2D0698151
- 2D0698151C
- 2D0698151
- 2D0698151C
- VOLKSWAGEN**
- 2D0698151
- 2D0698151C



2 PIECES WITH PISTON SPRING
 2 PIECES WITHOUT PISTON SPRING

WWW.PARSLENT.COM