



PARS LENT

BRAKE PADS

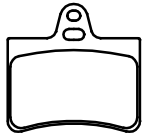
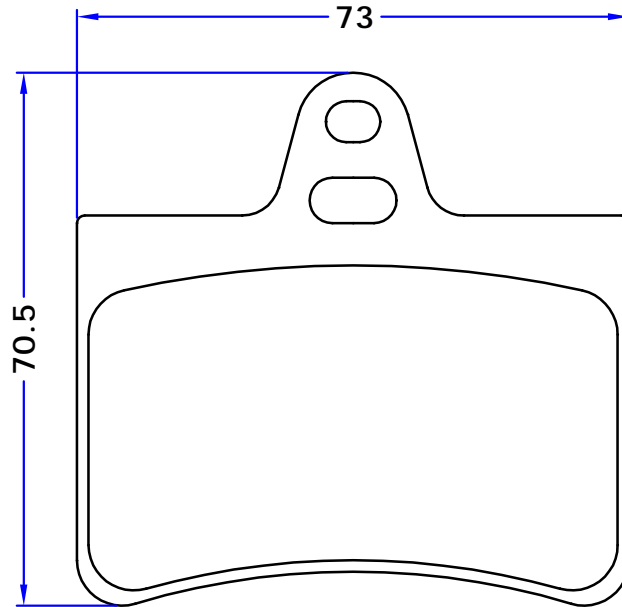
PL 23305

WVA No. : 23305

THK : 15.4 mm

CITROËN

- C5 I (DC_), 03/01 - 08/04
- C5 I Estate (DE_), 06/01 - 08/04
- C5 II (RC_), 08/04 -
- C5 II Break (RE_), 09/04 -



CITROËN



OE REF:

- CITROËN
- 425217
- 425290
- 425334
- E172231
- E172591

4 PIECES

WWW.PARSLENT.COM