



PARS LENT

BRAKE PADS

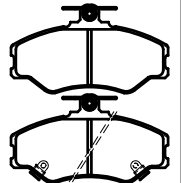
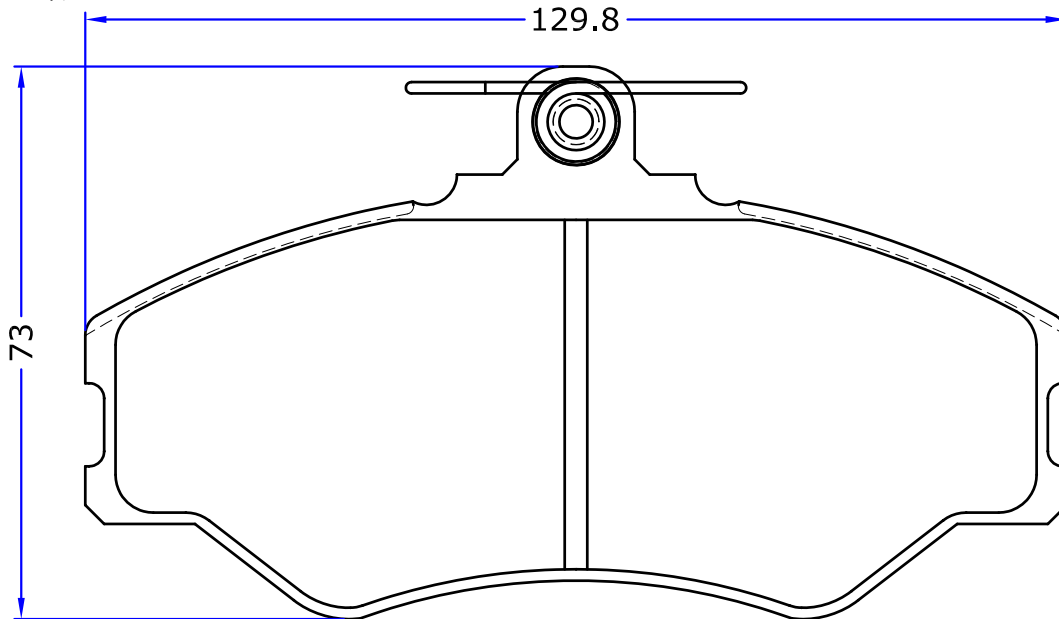
PL 23081

WVA No. : 23081

THK : 19 mm

HYUNDAI

H100 Box, 07/93 -
H100 Bus (P), 07/93 -
H100 Pickup, 05/96 - 10/01
H100 Platform/Chassis, 07/93 - 12/97
PORTER Box, 07/94 - 04/04
PORTER Bus, 07/94 - 04/04
PORTER Pickup, 07/94 - 04/04



LUCAS



**OE REF:
HYUNDAI**

5810143A00
5810144A00
5810144A10
581014BA00

WWW.PARSLENT.COM