



PARS LENT

BRAKE PADS

PL 21947

WVA No. : 21947

THK : 15.2 mm

LEXUS

mitsubishi

PAJERO/SHOGUN CLASSIC (V2_W), 06/02 -

PAJERO/SHOGUN IV (V8_W, V9_W), 11/06 -

PAJERO/SHOGUN IV Box Body / Estate (V90, V80, V8_V), 11/06 -

TOYOTA

4 RUNNER (KZN18_, VZN18_, RZN18_), 11/95 -

HILUX (VIGO) III Pickup (KUN_, TGN_, LAN_, GGN_), 08/05 -

HILUX Closed Off-Road Vehicle (RZN1_, LN1_), 11/95 -

HILUX II Pickup (_N1_, LN8_, RN5_, LN6_, YN6_, YN5_, LN5_, R, 11/82 - 07/05

LAND CRUISER (LJ12_, KZJ12_, TRJ12_, KDJ12_, GRJ12_), 09/02 -

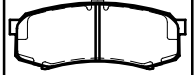
LAND CRUISER (PZJ7_, KZJ7_, HZJ7_, BJ7_, LJ7_, RJ7_), 03/84 -

LAND CRUISER 80 (_J8_), 01/90 - 02/98

LAND CRUISER 90 (_J9_), 04/95 -

LAND CRUISER 150 (TRJ15_, KDJ15_, GRJ15_, GDJ15_), 04/02 -

LAND CRUISER Hardtop (_J7_), 07/90 - 05/96



SUMITOMO



OE REF:

MITSUBISHI

4605A389

4605A458

TOYOTA

0446660010

0446660020

0446660050

0446660080

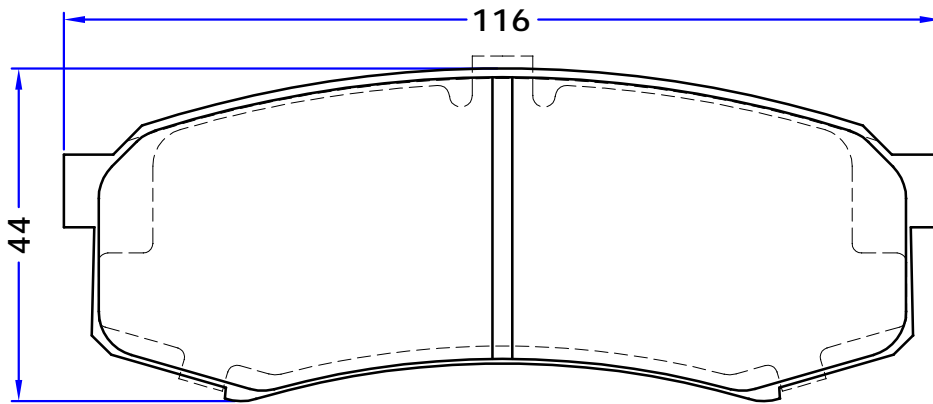
0446660090

0446660140

04466YZZC8

0449260010

0449260020



4 PIECES

2X



WWW.PARSLENT.COM