



PARS LENT

BRAKE PADS

PL 21347

WVA No. : 21347

THK : 17 mm

FORD

MAVERICK (UDS, UNS), 02/93 - 04/98
MAVERICK VAN, 06/96 - 04/98

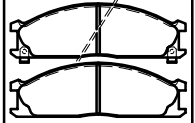
NISSAN

NAVARA (D22_), 09/97 -NAVARA Platform/Chassis (D22), 03/97 -
NP300 NAVARA Platform/Chassis (D40), 08/08 -PICK UP II (D21), 09/85 - 02/98
PICK UP III (D22), 01/97 -PICKUP / NP300 PICKUP III (D22), 04/08 -
TERRANO (WD21), 07/86 - 02/96_URVAN Box (E24), 06/86 - 05/97
URVAN Bus (E24), 06/86 - 05/97_VANETTE Box (C22), 10/86 - 01/95
VANETTE Bus (C22), 10/86 - 12/95_VANETTE Bus (KC120), 06/81 - 12/87

SUBARU

SVX (CX), 09/92 - 12/97

41060V7090
41060VR025
4108009G27
4108009W85
4108041L27
D10602S700
D10603S591
D106057G90
D1060V7090
D1060V7092
D1060VL32A
D1060VL33A
D106M57G90



AKEBONO

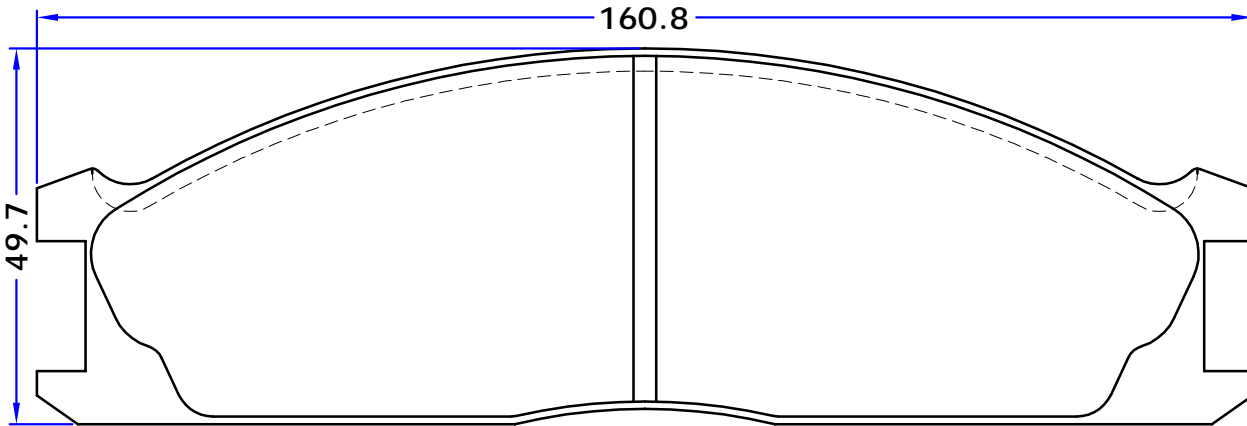


**OE REF:
FORD**

26296AA050
26296AA051

NISSAN

4100010G08
4106008N90
4106008N91
4106008N92
4106009G90
410600H590
4106023C90
4106023C91
4106023C92
4106023C93
4106023C94
4106025N25
410602S790
410602S791
4106032G91
410603S590
4106057G90
41060V7085



- 2 OUTER PIECES
- 1 INNER PIECE WITH RIGHT WEAR INDICATOR SPRING
- 1 INNER PIECE WITH LEFT WEAR INDICATOR SPRING

SUBARU
26296PA020

WWW.PARSLENT.COM