



PARS LENT

BRAKE PADS

PL 21170

WVA No. : 21170

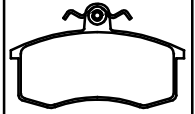
THK : 17.5 mm

LADA

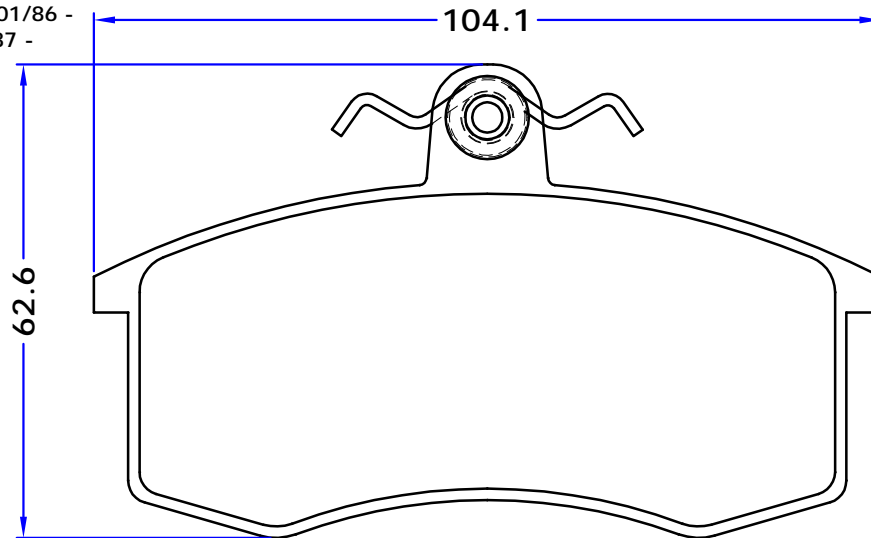
- 110 (2110), 01/95 -
- 111 (2111), 01/95 -
- 112 (2112), 01/95 -
- KALINA Estate (1117), 10/04 -
- KALINA Hatchback (1119), 10/04 -
- KALINA Saloon (1118), 10/04 -
- PRIORA Estate (2171), 10/09 -
- PRIORA Hatchback (2172), 12/08 -
- PRIORA Saloon (2170), 12/08 -
- SAMARA (2108, 2109, 2115), 01/86 -
- SAMARA FORMA (21099), 09/87 -

ZAZ

- TAVRIA (1102), 01/89 -



LUCAS



4 PIECES

OE REF:

LADA

- 21083501089
- 21083501090
- 21100350108000
- 21103501080

WWW.PARSLENT.COM