



PARS LENT

BRAKE PADS

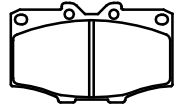
PL 20852

WVA No. : 20852

THK : 15 mm

TOYOTA

- 4 RUNNER (RN5_, LN5_, VZN6_, RN7_, RN6_), 07/84 - 10/89
- HILUX II Pickup (LN8_, RN5_, LN6_, YN6_, YN5_, LN5_, RN6_), 11/82 - 07/05
- LAND CRUISER (_J6_), 11/80 - 12/91
- LAND CRUISER (BJ4_), 03/69 - 11/01
- LAND CRUISER (PZJ7_, KZJ7_, HZJ7_, BJ7_, LJ7_, RJ7_), 03/84 -
- LAND CRUISER Pickup (_J4_), 03/69 - 10/97



SUMITOMO

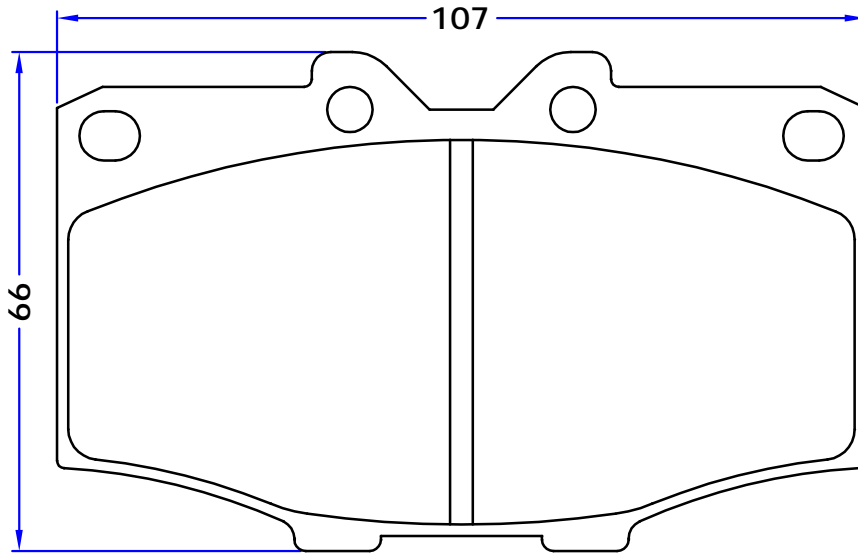


OE REF:

- AUDI**
- J0449135130
- SEAT**
- J0449135130

- J0449135130
- TOYOTA**

- 0446535090
- 0446535170
- 0446535180
- 0446535210
- 0446560010
- 0446560040
- 0446560060
- 04465YZZCA
- 0449135070
- 0449135071
- 0449135080
- 0449135081
- 0449135120
- 0449160010
- 0449160011
- 0449160030



- 0449160040
- 0449160050
- 0449160051
- VOLKSWAGEN**
- J0449135130

4 PIECES

WWW.PARSLENT.COM