



# PARS LENT

BRAKE PADS

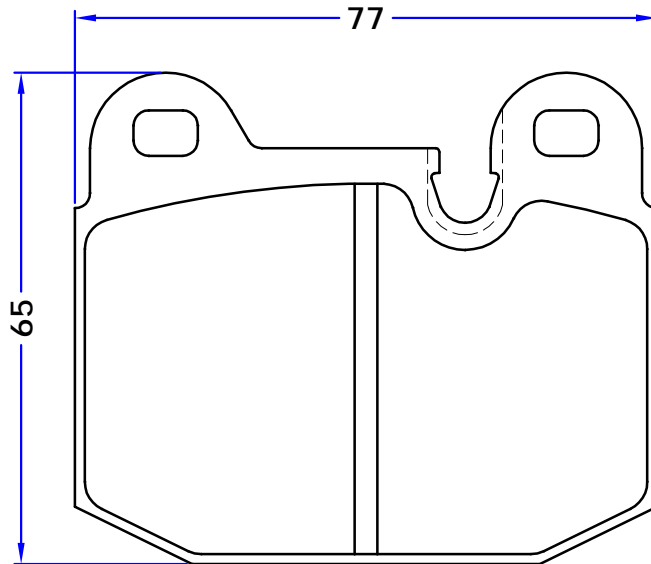
**PL 20588**

WVA No. : 20588

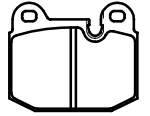
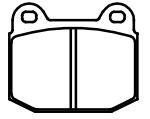
THK : 16.5 mm

**BMW**

- 3 (E21), 06/75 - 03/84
- 3 (E30), 09/82 - 03/92
- M1 (E26), 05/79 - 05/83



2 INNER PIECES  
2 OUTER PIECES



TEVES



**OE REF:**

**BMW**

- 34111150523
- 34111150524
- 34111150527
- 34111152655
- 34111158270
- 34111159249
- 34111159251
- 34211150524

[WWW.PARSLENT.COM](http://WWW.PARSLENT.COM)