



PARS LENT

BRAKE PADS

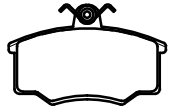
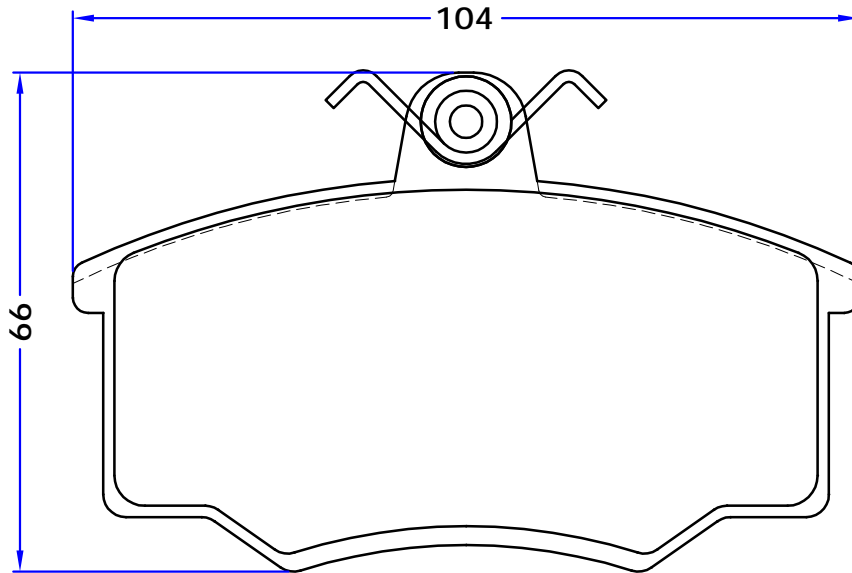
PL 20574

WVA No. : 20574

THK : 15.3 mm

AUDI

80 (81, 85, B2), 08/78 - 08/86
COUPE (81, 85), 07/80 - 10/88



GIRLING



OE REF:

AUDI

855698151
855698151B

SEAT

855698151
855698151B

855698151
855698151B

VOLKSWAGEN

855698151
855698151B

4 PIECES

WWW.PARSLENT.COM