



PARS LENT

BRAKE PADS

PL 20191

WVA No. : 20002,20191,20192

THK : 15 mm

FORD

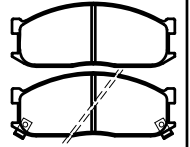
ECONOVAN (KBA, KCA), 03/86 - 03/92
ECONOVAN Box (KAA), 05/85 - 03/92

KIA

BESTA Box, 02/96 -

MAZDA

BONGO Bus (SR1), 01/84 - 05/94
BONGO FIENDEE MPV (SG), 06/95 - 09/99
E-SERIE Box (SR2), 01/84 - 07/04
E-SERIE Bus, 03/91 - 05/03
E-SERIE Platform/Chassis (SD1), 01/83 - 07/99

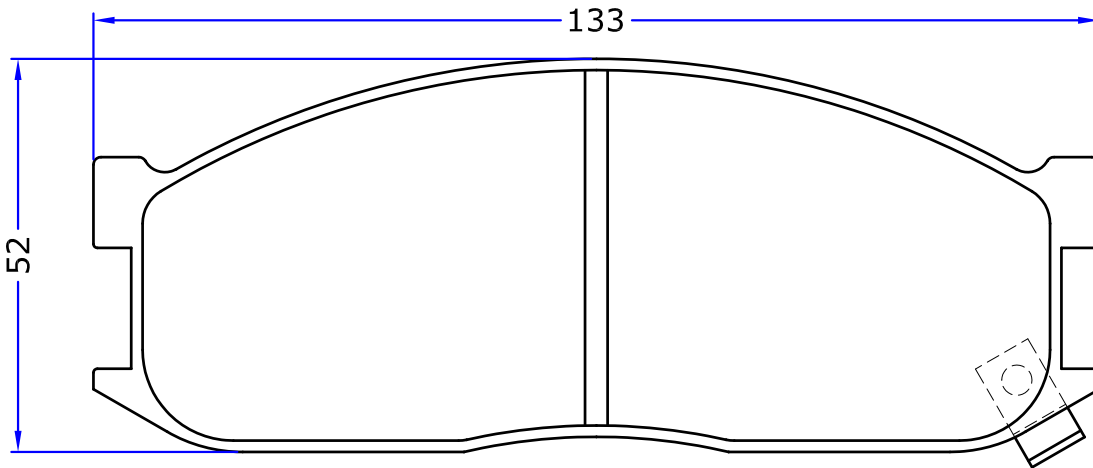


AKEBONO



OE REF:

- FORD**
- 3250077
- 3256541
- KIA**
- 07K1F3328Z
- 0K70Y3328Z
- 0K71E3328Z
- MAZDA**
- S08349280
- S08349280A
- S23149280
- S23149280A
- S2YA3323Z
- S2YA3328Z
- SA8349280A
- SA94492809A
- SE963325Z
- SE963328Z
- SE963328Z9A
- SF043328Z
- SF043328Z9A
- SO8349280
- MITSUBISHI**
- S2YA3323ZA
- S2YA3328ZA
- SA94492809Z



- 2 OUTER PIECES**
- 1 INNER PIECE WITH RIGHT WEAR INDICATOR SPRING**
- 1 INNER PIECE WITH LEFT WEAR INDICATOR SPRING**

WWW.PARSLANT.COM