



PARS LENT

BRAKE PADS

PL 20104

WVA No. : 20104

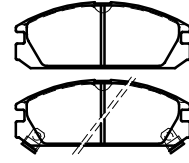
THK : 14 mm

ACURA

INTEGRA Coupe, 01/85 - 12/90
 INTEGRA Hatchback, 01/85 - 12/90
 INTEGRA Saloon, 01/85 - 12/90

HONDA

ACCORD Mk III (CA), 11/85 - 12/89
 ACCORD Mk III Estate (CA), 11/85 - 12/89
 CRX (AF, AS), 10/83 - 10/87
 INTEGRA (DA), 10/85 - 08/93
 INTEGRA Coupe (DC2, DC4), 07/93 - 11/01



AKEBONO

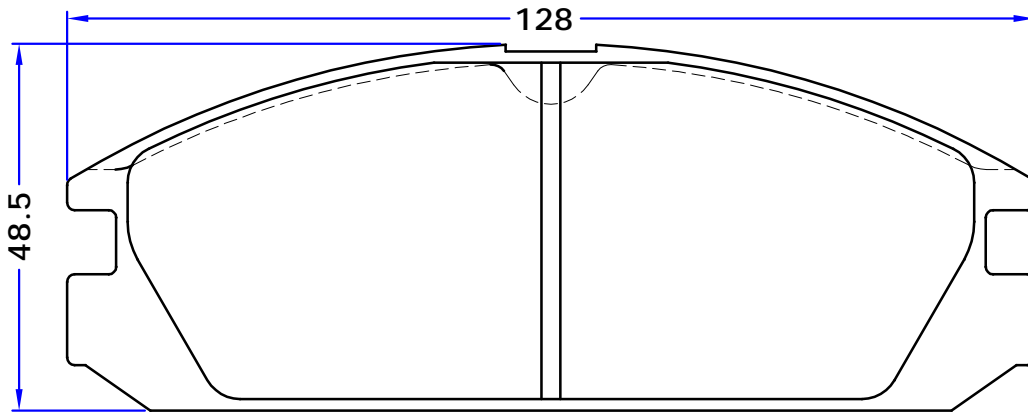


HONDA

45022SE1910
 45022SE1911
 45022SE0A01

**OE REF:
 HONDA**

- 45022SB2780
- 45022SD2505
- 45022SD2506
- 45022SD2508
- 45022SD2509
- 45022SD2518
- 45022SD2519
- 45022SD2528
- 45022SD2529
- 45022SD2A00
- 45022SD2A01
- 45022SD2A02
- 45022SD2A03
- 45022SD2A10
- 45022SD2A11
- 45022SD2A12
- 45022SD2A13
- 45022SE0306
- 45022SE0315
- 45022SE0316
- 45022SE0325
- 45022SE0505
- 45022SE0507
- 45022SE0515
- 45022SE0517
- 45022SE0527
- 45022SE0911
- 45022SE0912
- 45022SE0930
- 45022SE0931
- 45022SE0932
- 45022SE0A00
- 45022SE0A01
- 45022SE1505



- 2 OUTER PIECES
- 1 INNER PIECE WITH RIGHT WEAR INDICATOR SPRING
- 1 INNER PIECE WITH LEFT WEAR INDICATOR SPRING

WWW.PARSLENT.COM