



# PARS LENT

BRAKE PADS

**PL 20088**

WVA No. : 20088

THK : 12.2 mm

**FORD**

ESCORT Estate (ADH, AF), 06/68 - 03/79

ESCORT (AFH, ATH), 01/68 - 02/76

HOLDEN

**TALBOT**

RANCHO, 01/77 - 07/84

TRIUMPH

1300, 01/65 - 12/70

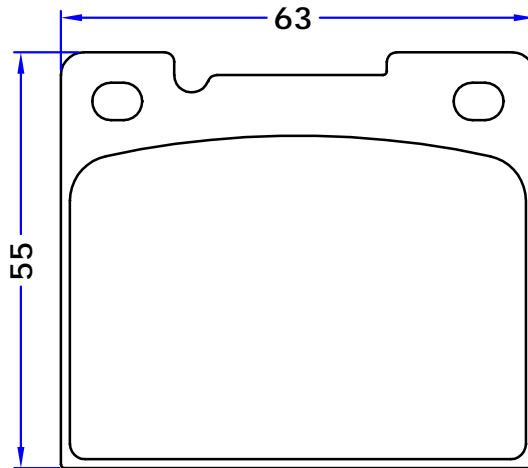
SPITFIRE, 10/62 - 01/80

**VOLVO**

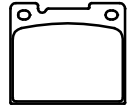
140 (142, 144), 08/66 - 08/75

140 Estate (145), 08/66 - 02/75

164, 08/68 - 04/75



4 PIECES



GIRLING



**OE REF:**

**FORD**

1424023

1487400

1540857

5015923

5018901

82315997

**PEUGEOT**

424534

**ROVER**

GBP223

35128499

424893

**TRIUMPH**

145319

**VOLVO**

270164

2701647

2713360

2725315

272567

2725679

272674

2726743

272780

272876

2729119

275895

[WWW.PARSLENT.COM](http://WWW.PARSLENT.COM)