



# PARS LENT

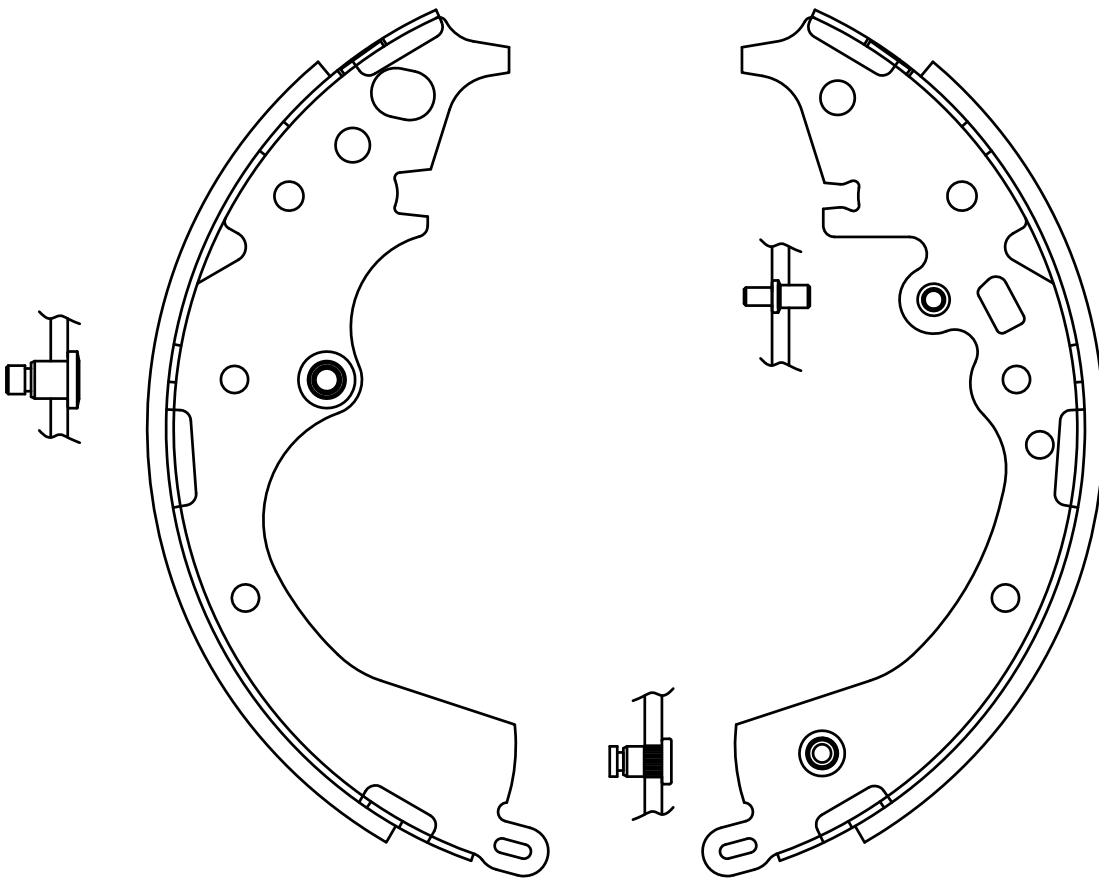
BRAKE PADS

**PL 71054**

WVA No. : -----

Ø 253 x w 51.5 mm

TOYOTA (HIACE)



2 LEFT PIECES  
2 RIGHT PIECES

50% SCALED