



PARS LENT

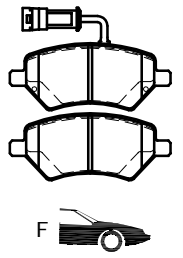
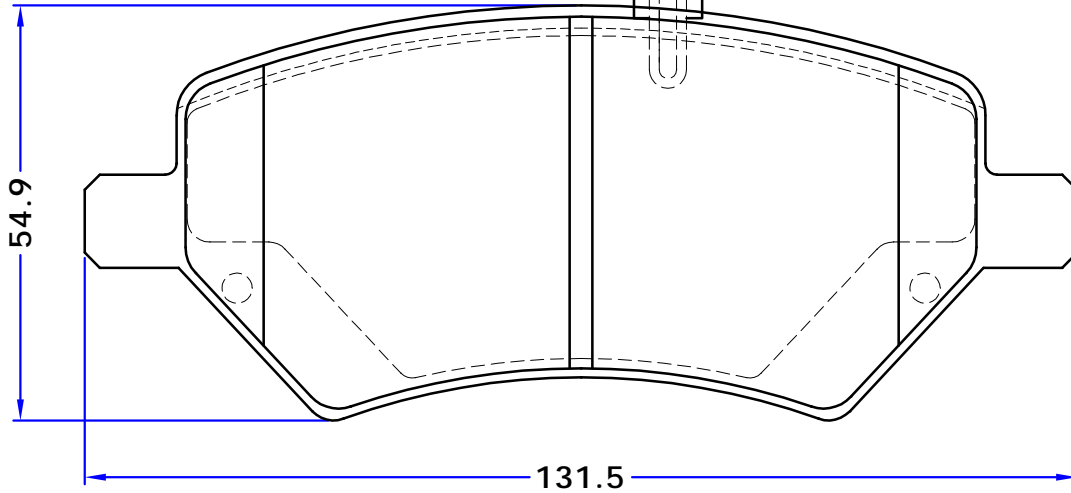
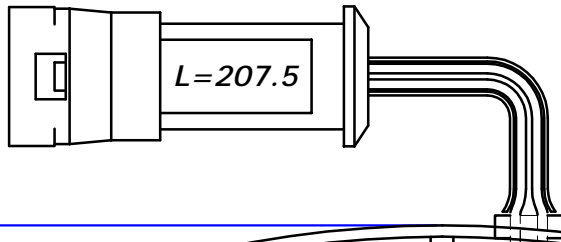
BRAKE PADS

PL 80139

WVA No. : -----

THK : 16.7 mm

LIFAN (X60)
MVM (530 - X33)



- 2 OUTER PIECES
- 2 INNER PIECES WITH WEAR INDICATOR WIRE

WWW.PARSLENT.COM