



PARS LENT

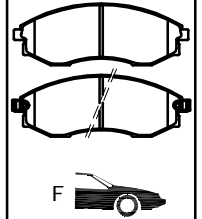
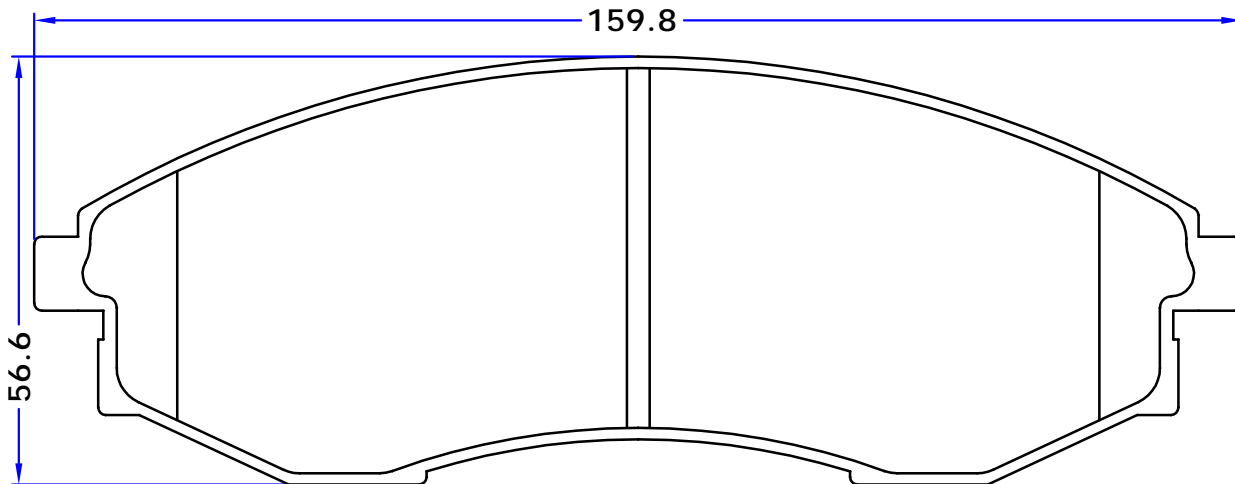
BRAKE PADS

PL 80133

WVA No. : -----

THK : 16 mm

MERCEDES BENZ



- 2 OUTER PIECES
- 1 INNER PIECE WITH RIGHT WEAR INDICATOR SPRING
- 1 INNER PIECE WITH LEFT WEAR INDICATOR SPRING

WWW.PARSLENT.COM