



# PARS LENT

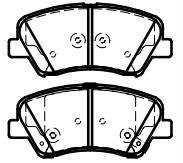
BRAKE PADS

**PL 25692**

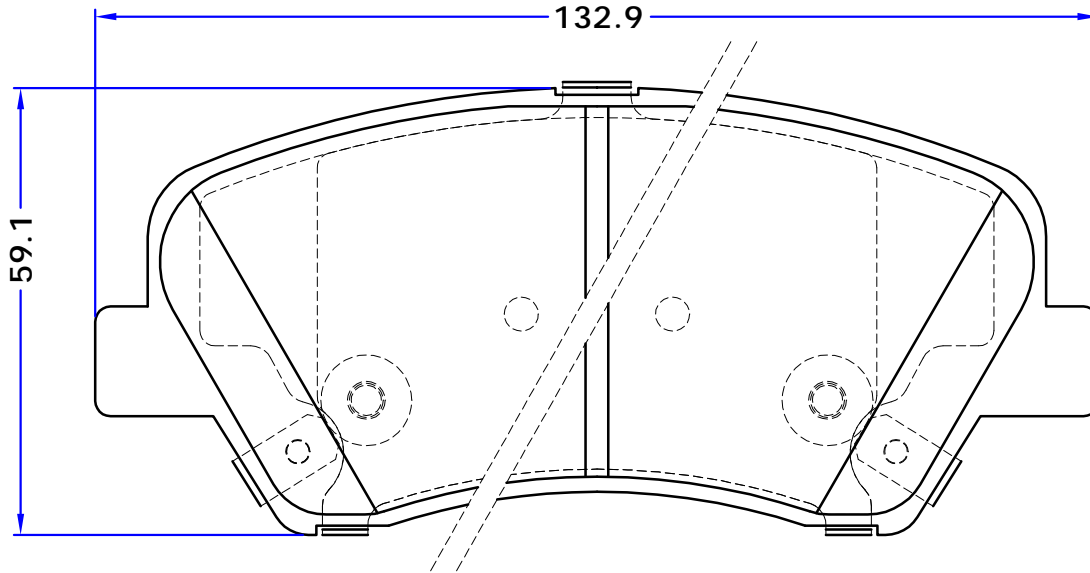
WVA No. : 25692

THK : 18.1 mm

**HYUNDAI**  
ELENTRA (GLS)  
i30 (GD)  
i30 Coupé  
i30 CW (GD)  
VELOSTER (FS)



BOSCH



- 2 OUTER PIECES
- 1 INNER PIECE WITH RIGHT WEAR INDICATOR SPRING
- 1 INNER PIECE WITH LEFT WEAR INDICATOR SPRING

[WWW.PARSLENT.COM](http://WWW.PARSLENT.COM)