



PARS LENT

BRAKE PADS

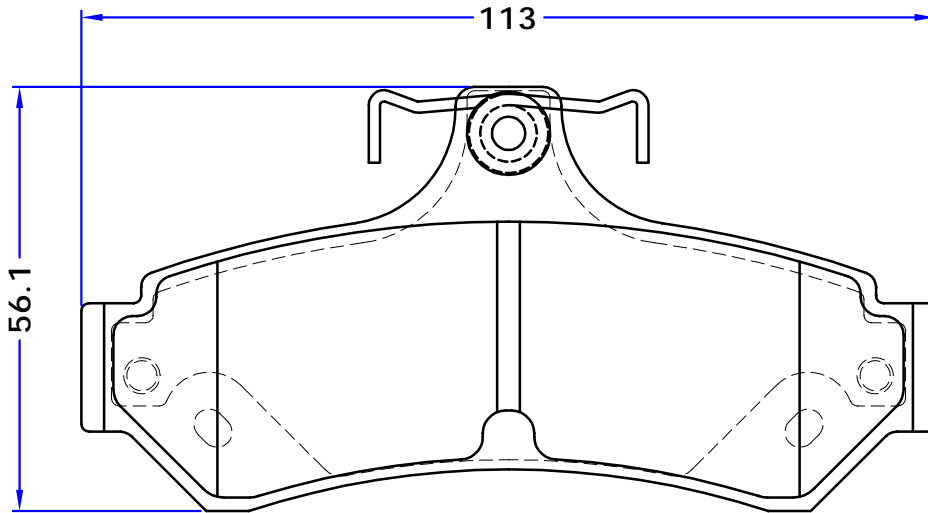
PL 80137

WVA No. : 25599

THK : 16 mm

TOYOTA

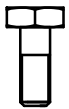
AURION (GSV4_, ACV4_),
CAMRY Saloon (XV5_)
CAMRY Saloon (_V3_), 08/01 - 11/06
CAMRY Saloon (_V4_), 01/06 - 09/11
CAMRY Saloon (_V5_), 09/11 -



LUCAS



2X



OE REF :
TOYOTA
0446606080

4 PIECES

WWW.PARSLENT.COM