



PARS LENT

BRAKE PADS

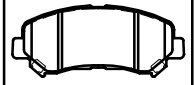
PL 25202

WVA No. : 25202

THK : 16.8 mm

NISSAN

JUKE (F15), 06/10 -
MAXIMA VII (A35), 09/08 -
MAXIMA VIII (A36), 05/15 -
MAXIMA, 05/15 -
QASHQAI / QASHQAI +2 I (J10, JJ10), 02/07 -
QASHQAI, 02/14 -
X-TRAIL (T32_), 10/13 -
ROGUE (T32_), 12/13 -
SUZUKI (KIZASHI (FR), 10/10 -)



AKEBONO



2X



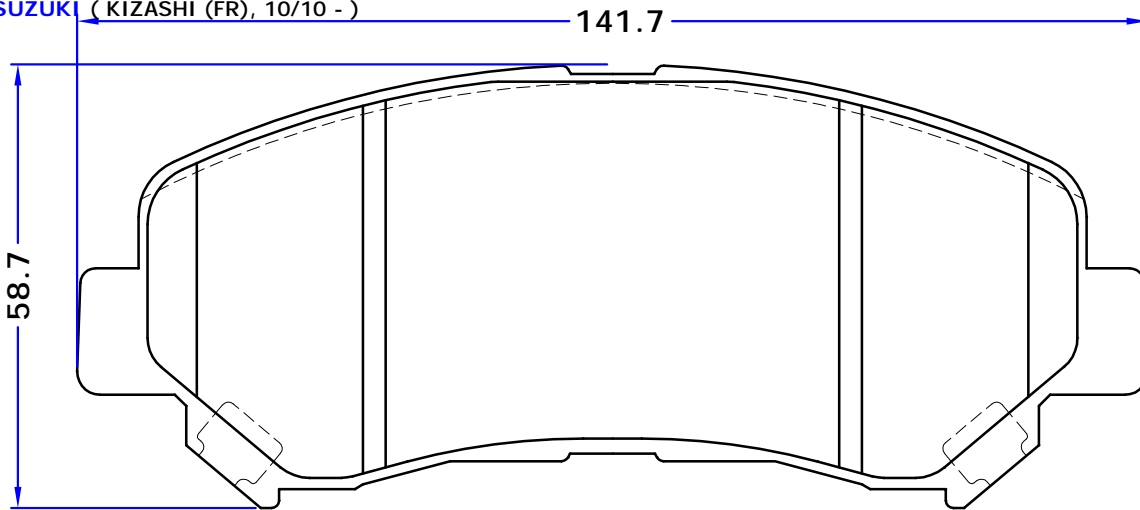
OE REF:

NISSAN

D10603UB0A
D10609N00A
D10609N50A
D1060JD00A

SUZUKI

5581057L00
5581057L00000
5581057L50
5581057L50000



4 PIECES

WWW.PARSLENT.COM