



PARS LENT

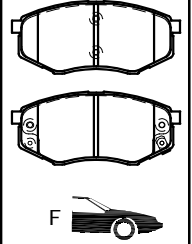
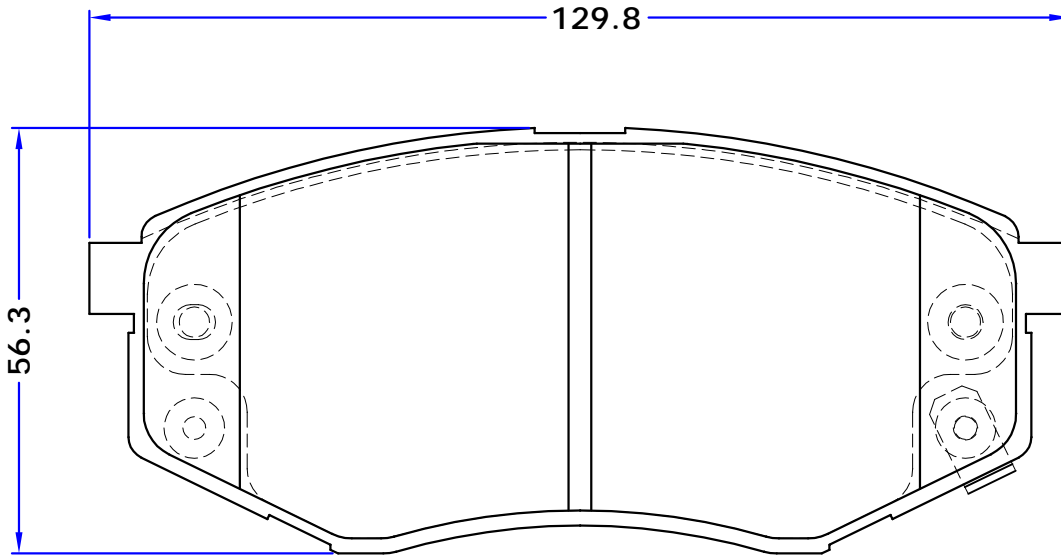
BRAKE PADS

PL 25187

WVA No. : 25187

THK : 17.5 mm

HYUNDAI (ix20 (JC), 11/10 ,TUCSON (JM), 08/04 - 11/10, SONATA (YF), 2010-2014)
KIA(SOUL II (PS), 02/14)



- 2 OUTER PIECES
- 1 INNER PIECE WITH RIGHT WEAR INDICATOR SPRING
- 1 INNER PIECE WITH LEFT WEAR INDICATOR SPRING

OE REF:
HYUNDAI
581011KA00
581012SA00
KIA
58101B2A10

WWW.PARSLANT.COM