



PARS LENT

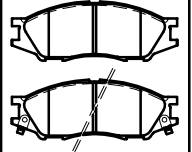
BRAKE PADS

PL 80090

WVA No. : 24647

THK : 15.2 mm

NISSAN (ALMERA II Hatchback (N16), ALMERA Mk II (N16), PULSAR II Saloon (N16), ALMERA II (N16), SENTRA Saloon, SENTRA très volumes, SUNNY Coupe, SUNNY Hatchback, SUNNY Saloon, TSURU Sedán)



AKEBONO



OE REF:

MAZDA

1N073328Z

1N083328Z

1N133328Z

1N143328Z

1N173328Z

1N193328Z

1N213328Z

MITSUBISHI

MN102192

NISSAN

410604M490

410606N090

410606N091

410606NOX1

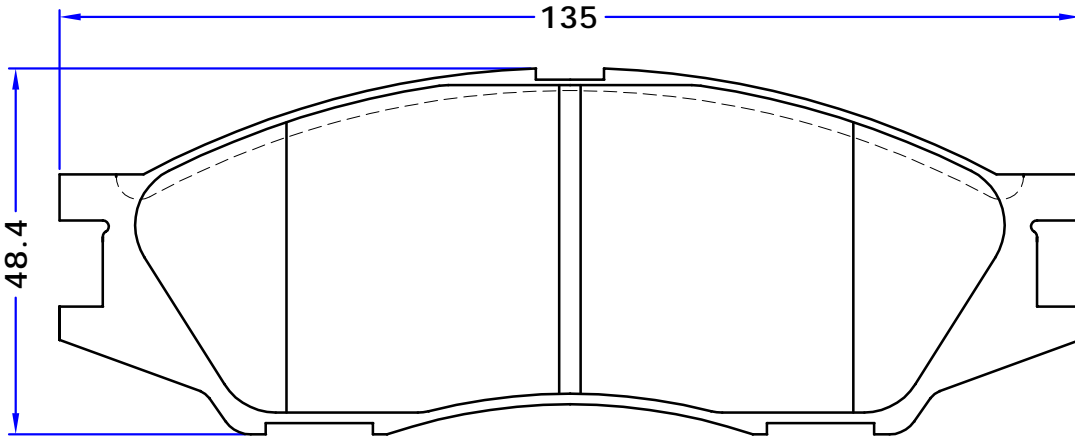
4106095FOA

4106095FOB

41060WA490

41060WD290

AY040NS053



AY040NS072

AY040NS073

AY040NS084

AY040NS096

AY040NS100

AY040NS108

D10606N091

D10606NOX2

2 OUTER PIECES

1 INNER PIECE WITH RIGHT WEAR INDICATOR SPRING

1 INNER PIECE WITH LEFT WEAR INDICATOR SPRING

WWW.PARSLENT.COM