



# PARS LENT

BRAKE PADS

**PL 80122**

WVA No. : 23974

THK : 17 mm

**CHEVROLET**

AVEO Hatchback (T250, T255), 01/07 -

AVEO Saloon (T250, T255), 05/05 -

KALOS, 03/05 -

KALOS Saloon, 03/05 -

**DAEWOO**

KALOS (KLAS), 09/02 -

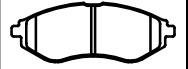
KALOS Saloon (KLAS), 11/02 - 12/04

**HOLDEN**

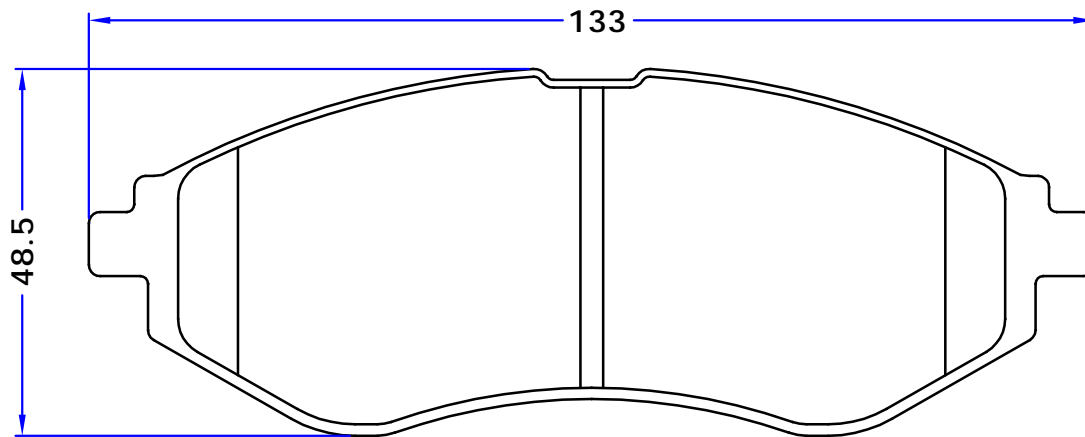
**PROTON**

SAVVY, 10/05 -

**PASARGAD CO.**



AKEBONO



4 PIECES

**OE REF :**

**CHEVROLET**

96534653

**DAEWOO**

96534653

PW892497

[WWW.PARSLENT.COM](http://WWW.PARSLENT.COM)