



PARS LENT

BRAKE PADS

PL 24260-1

WVA No. : 24260

THK : 16.3 mm

FORD

MONDEO III Saloon (B4Y), 10/00 - 03/07
MONDEO Mk III (B5Y), 10/00 - 03/07
MONDEO Mk III Estate (BWY), 10/00 - 03/07

FORD USA

FIVE HUNDRED, 08/04 -
FREESTAR, 10/03 - 09/07
FREESTYLE Estate, 09/04 - 12/07
TAURUS Saloon, 09/07 - 12/11
TAURUS X Estate, 09/07 - 12/09

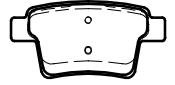
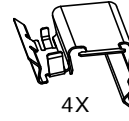
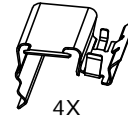
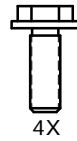
GEELY (EX7)

JAGUAR

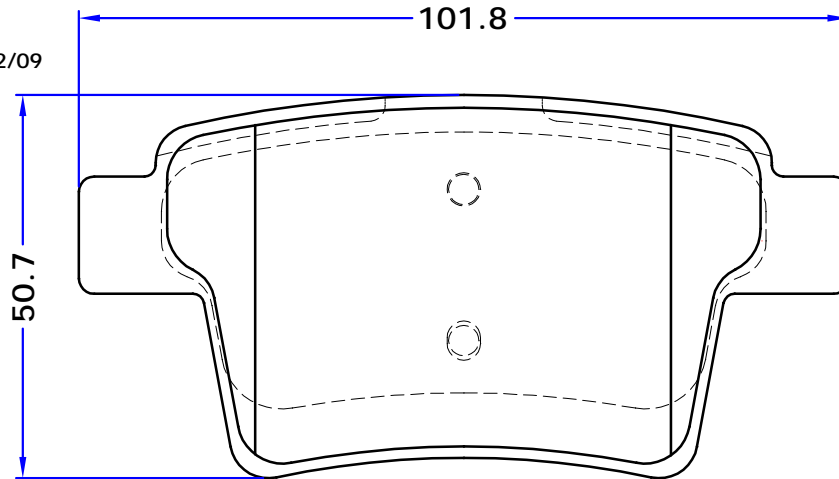
X-TYPE (CF1_), 06/01 - 11/09
X-TYPE Estate (CF1_), 11/03 - 12/09

MERCURY

MONTEGO, 06/03 - 12/07
SABLE, 09/07 - 12/09



BOSCH



OE REF :

FORD USA
5F9Z2200B
7F9Z2200A
8G1Z2001A

FORD
1356392
1521329
1522073
4S712M008AB
ME4S7J2M008AB

GEELY
101402006059

JAGUAR
C2S38068
C2S48024
C2S52081

4 PIECES

WWW.PARSLENT.COM