



PARS LENT

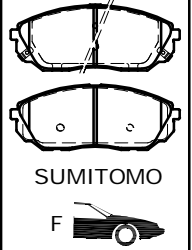
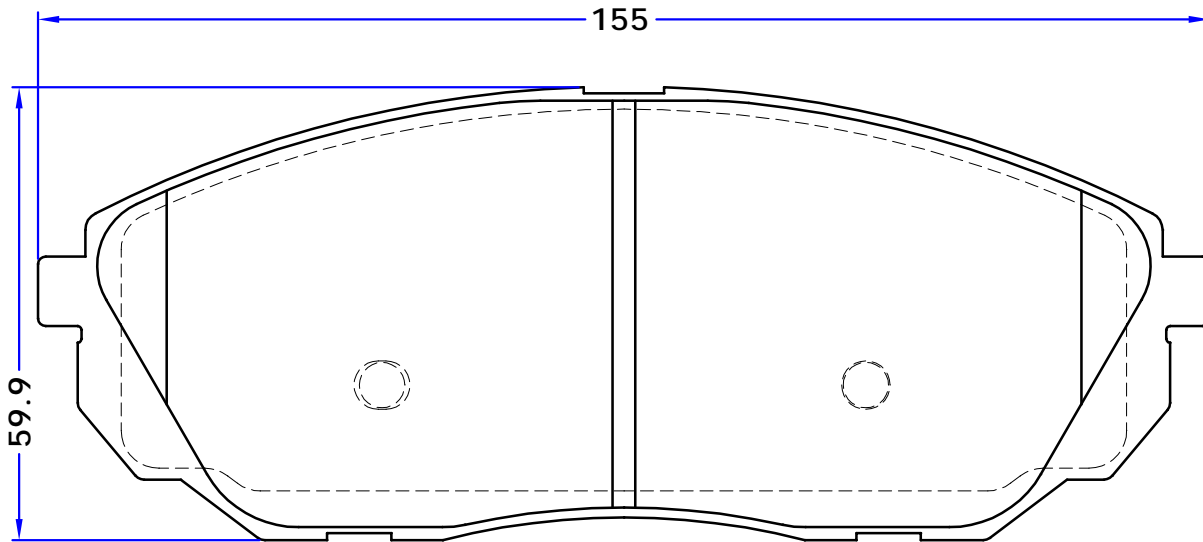
BRAKE PADS

PL 24092

WVA No. : 24092

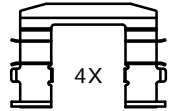
THK : 17.2 mm

KIA (SORENTO I (JC), 08/02 -)



OE REF:
KIA
581013EE00
581013EE01

- 2 OUTER PIECES
- 1 INNER PIECE WITH RIGHT WEAR INDICATOR SPRING
- 1 INNER PIECE WITH LEFT WEAR INDICATOR SPRING



WWW.PARSLENT.COM