



# PARS LENT

## BRAKE PADS

**PL 24024**

**WVA No. : 24024**

**THK : 17.7 mm**

**TOYOTA**

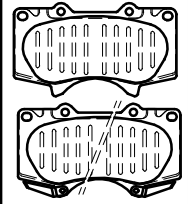
HILUX IV Pickup (GUN12\_, GUN13\_, KUN2\_, KUN3\_), 05/15 -  
 LAND CRUISER 150 (TRJ15\_, KDJ15\_, GRJ15\_, GDJ15\_), 04/02 -  
 4 RUNNER (KZN18\_, VZN18\_, RZN18\_), 11/95 -  
 HILUX (VIGO) III Pickup (KUN\_, TGN\_, LAN\_, GGN\_), 08/05 -  
 HILUX Closed Off-Road Vehicle (RZN1\_, LN1\_), 11/95 -  
 HILUX II Pickup (\_N1\_, LN8\_, RN5\_, LN6\_, YN6\_, YN5\_, LN5\_, R, 11/82 - 07/05  
 HILUX II Pickup (RN6\_, RN5\_, LN6\_, YN6\_, YN5\_, LN5\_), 11/82 - 07/05  
 HILUX III Pickup (TGN1\_, GGN2\_, GGN1\_, KUN2\_, KUN1\_), 08/05 -  
 LAND CRUISER (KDJ12\_, GRJ12\_), 09/02 -  
 LAND CRUISER (LJ12\_, KZJ12\_, TRJ12\_, KDJ12\_, GRJ12\_), 09/02 -  
 LAND CRUISER 150 (TRJ15\_, KDJ15\_, GRJ15\_, GDJ15\_), 04/02 -

**LEXUS**

GX (\_J12\_), 11/01 - 11/09

**MITSUBISHI**

PAJERO/SHOGUN CLASSIC (V2\_W), 06/02 -  
 PAJERO/SHOGUN IV (V8\_W, V9\_W), 11/06 -  
 PAJERO/SHOGUN IV Box Body / Estate (V90, V80, V8\_V), 11/06 -



SUMITOMO



F

2 OUTER PIECES WITH RIGHT WEAR INDICATOR SPRING  
 1 INNER PIECE WITH LEFT WEAR INDICATOR SPRING

**OE REF:**

**MITSUBISHI**

4605A472

4605A481

MZ690355

**TOYOTA**

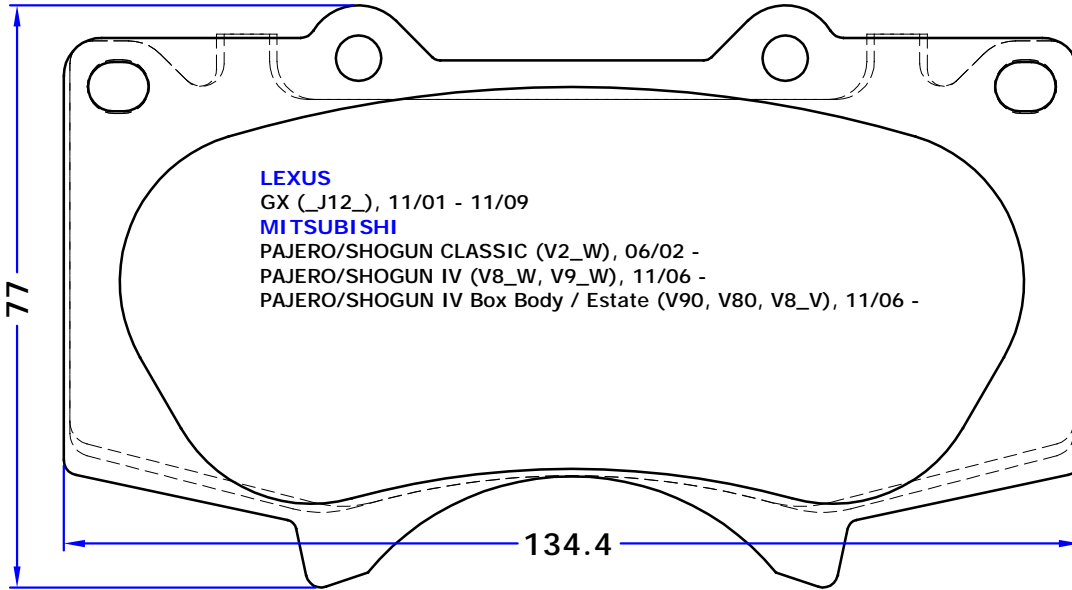
044650K090

0446535250

0446535290

0446560270

04465YZZDB



**WWW.PARSLENT.COM**