



# PARS LENT

BRAKE PADS

PL 23966

WVA No. : 23966

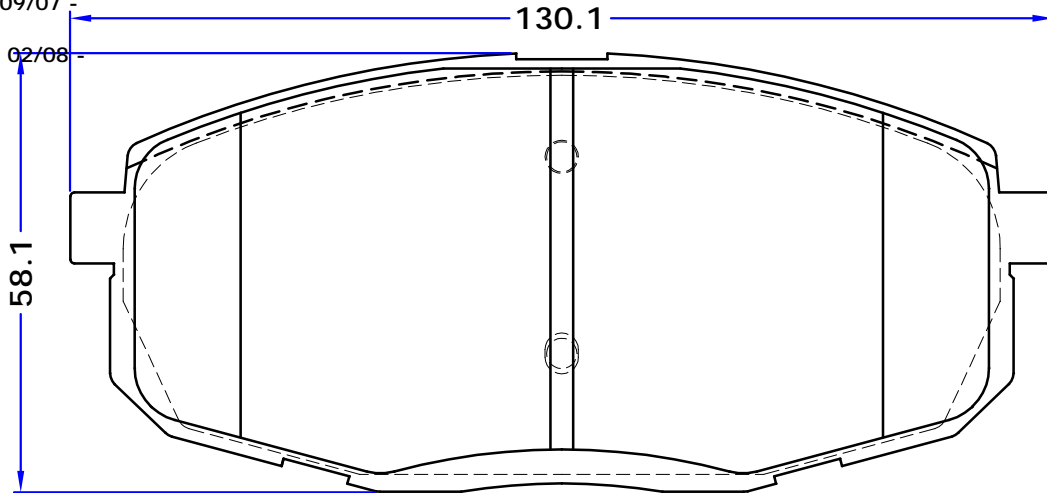
THK : 17.8 mm

**HYUNDAI**

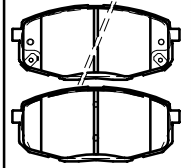
- i30 (FD), 10/07 -
- i30 (GD), 11/11 -
- i30 CW (FD), 02/08 -
- i30 Coupe, 05/13 -
- ELANTRA (FD), 10/07 - 11/11
- ELANTRA GT (GD), 11/11 -

**KIA**

- CARENS Mk II (FJ), 07/02 -
- CEE'D Hatchback (ED), 12/06 -
- CEE'D SW (ED), 09/07 -
- CEE'D, 05/12 -
- PRO CEE'D (ED), 02/08 -



- 2 OUTER PIECES
- 1 INNER PIECE WITH RIGHT WEAR INDICATOR SPRING
- 1 INNER PIECE WITH LEFT WEAR INDICATOR SPRING



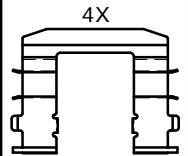
MANDO



**OE REF:**

- HYUNDAI**
- 581011HA10
- 581011HA20

- KIA**
- OK2JA3328Z
- 581011HA00



[WWW.PARSLENT.COM](http://WWW.PARSLENT.COM)