



# PARS LENT

BRAKE PADS

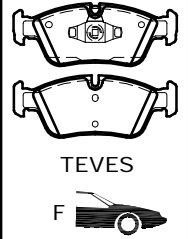
**PL 23935**

WVA No. : 23935

THK : 17.7 mm

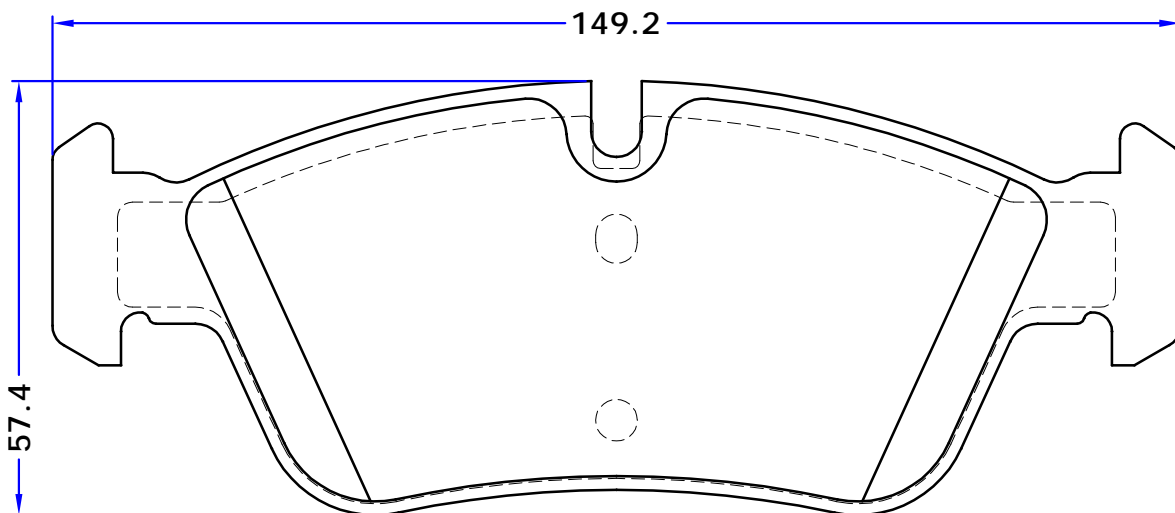
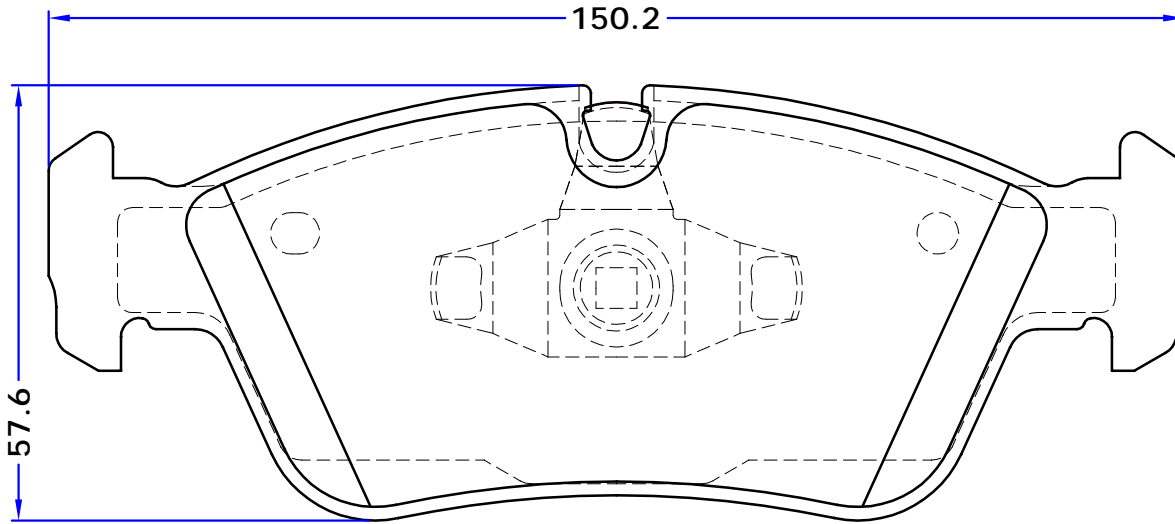
**BMW**

- 1 (E87), 11/03 - 09/12
- 3 (E90), 01/05 -



TEVES

F



- 2 OUTER PIECES
- 2 INNER PIECES

**OE REF:**  
**BMW**  
34112288849  
34112288851  
34116769763  
34116769951