



PARS LENT

BRAKE PADS

PL 23891

WVA No. : 23891

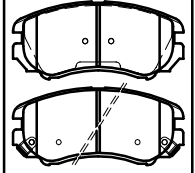
THK : 16.7 mm

HYUNDAI

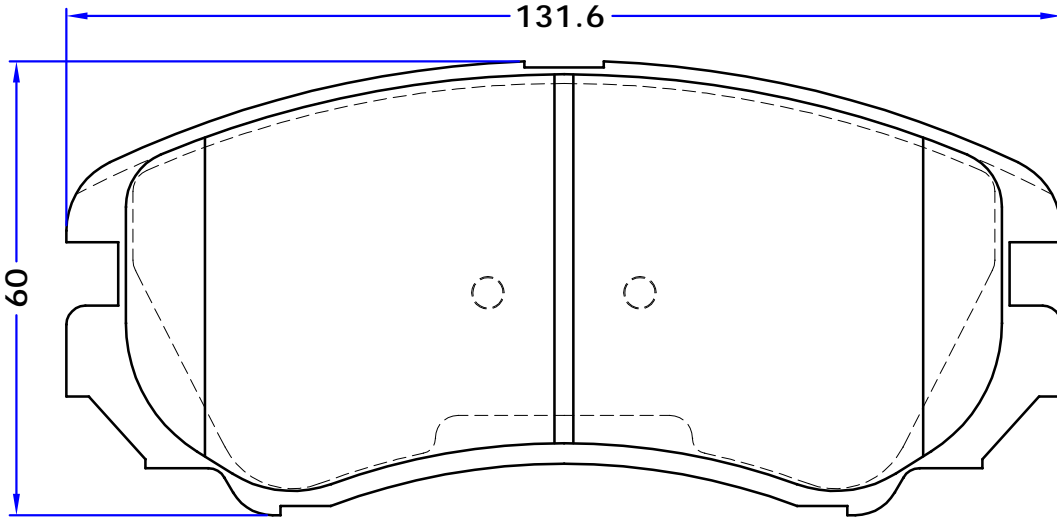
COUPE (GK), 08/01 -
ELANTRA Saloon (HD), 06/06 -
ix20 (JC), 11/10 -
SONATA Mk III (EF), 03/98 - 05/05
TUCSON (JM), 08/04 -

KIA

MAGENTIS (GD, MS), 05/01 -
SOUL (AM), 02/09 -
SPORTAGE (JE_, KM_), 09/04 -
VENGA (YN), 02/10 -



MANDO



OE REF:
HYUNDAI

581011FA50
581012CA10
581012CA11
581012ca20
581012EA10
581012EA11
581012HA10
5810138A81
5810138A90

KIA

581011FE00
581011FE01
581012KA10
581013CA80

- 2 OUTER PIECES
- 1 INNER PIECE WITH RIGHT WEAR INDICATOR SPRING
- 1 INNER PIECE WITH LEFT WEAR INDICATOR SPRING

WWW.PARSLENT.COM