



PARS LENT

BRAKE PADS

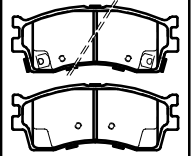
PL 23873-1

WVA No. : 23873

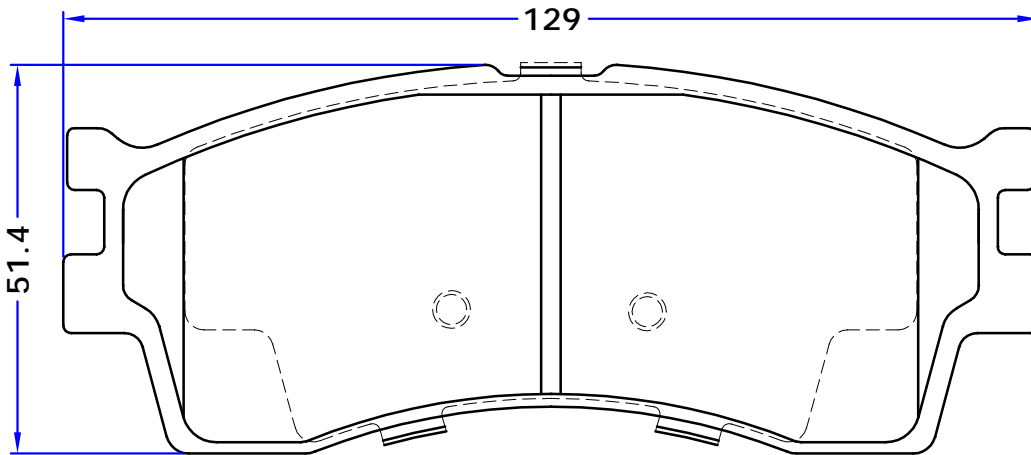
THK : 15.7 mm

KIA

- CARENS I (FC), 11/00 - 10/02
- CLARUS (K9A), 07/96 -
- CLARUS Estate (GC), 05/98 -
- MENTOR (FA), 01/95 - 10/97
- MENTOR Saloon (FA), 09/93 - 10/97
- RIO Estate (DC), 08/00 - 02/05
- RIO Saloon (DC_), 09/00 - 02/05
- SHUMA (FB), 10/97 - 12/01
- SHUMA II (FB), 05/01 - 08/04
- SHUMA II Saloon (FB), 05/01 - 05/04



SUMITOMO



- 2 OUTER PIECES
- 1 INNER PIECE WITH RIGHT WEAR INDICATOR SPRING
- 1 INNER PIECE WITH LEFT WEAR INDICATOR SPRING

OE REF:

- KIA**
- OK2N13328Z
- OK2N13328ZA
- OK9D03328Z
- 58115FDA00
- 58115FDC00
- OK2N13328ZA

WWW.PARSLENT.COM