



PARS LENT

BRAKE PADS

PL 23743

WVA No. : 23743

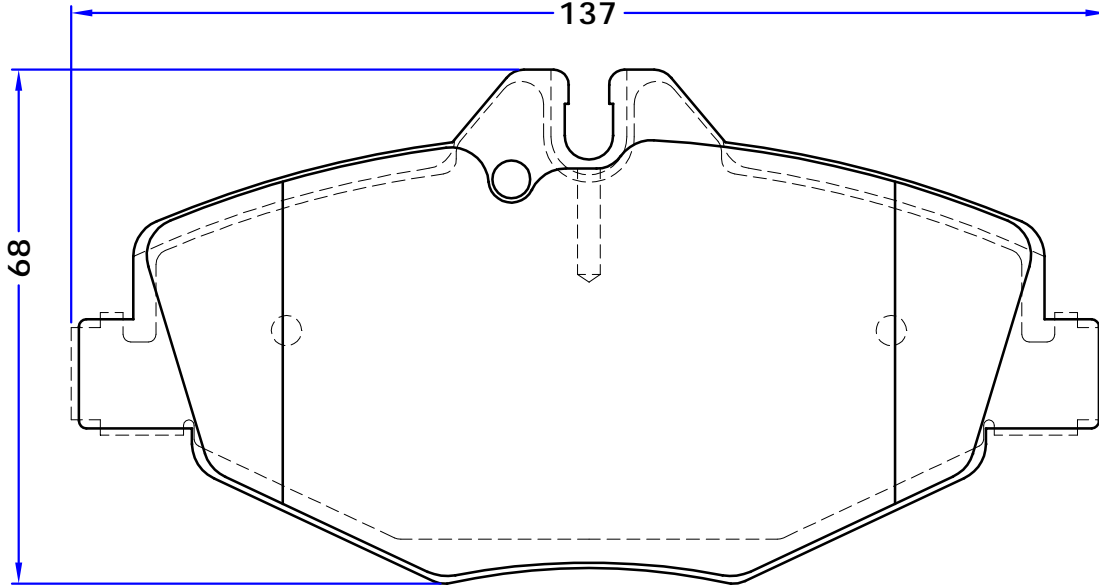
THK : 20.5 mm

MERCEDES-BENZ

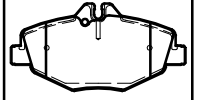
E-CLASS (W211), 03/02 - 12/08

E-CLASS T-Model (S211), 03/03 - 07/09

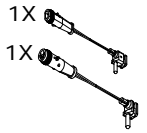
E-KLASSE Kombi (S211)



2 PIECES WITH WEAR INDICATOR HOLE IN 7 mm POSITION (FOR FIRST ALARM)
2 PIECES WITH WEAR INDICATOR HOLE IN 2 mm POSITION (FOR FINAL ALARM)



BOSCH



**OE REF:
MERCEDES-BENZ**

0034206520
0034209920
0044207920
0044208720
A0034206520
A0034209920
A0044207920
A0044208720

WWW.PARSLENT.COM