



# PARS LENT

BRAKE PADS

**PL 21920**

WVA No. : 21920

THK : 15.1 mm

**MITSUBISHI**

CARISMA (DA\_), 07/95 - 06/06  
CARISMA Saloon (DA\_), 09/96 - 06/06  
SPACE STAR MPV (DG\_A), 06/98 -

**PROTON**

IMPIAN, 09/01 -  
JUMBUCK Pickup, 02/02 -  
WIRA Hatchback (C9\_C, C9\_S), 01/94 -  
PERSONA 400 Hatchback (C9\_C, C9\_S), 01/94 -

**VOLVO**

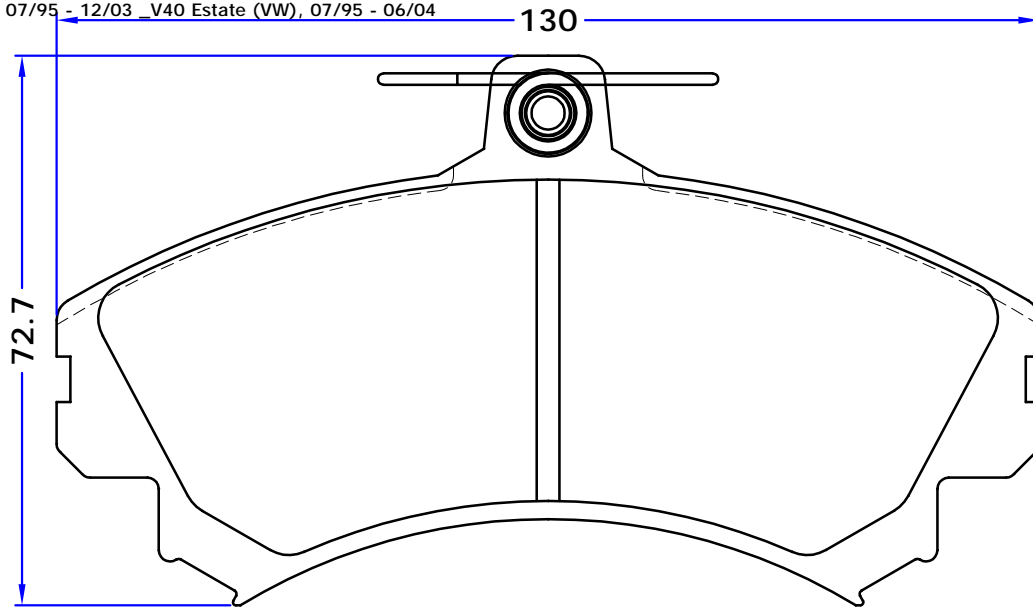
S40 I (VS), 07/95 - 12/03\_V40 Estate (VW), 07/95 - 06/04



LUCAS



F



4 PIECES

**OE REF:**

**MITSUBISHI**

DBP511117

MR235557

MR249241

MR407946

MZ690336

X3511007

**PROTON**

PW890078

**VOLVO**

3345670

33456708

[WWW.PARSLENT.COM](http://WWW.PARSLENT.COM)