



PARS LENT

BRAKE PADS

PL 21920-1

WVA No. : 21920

THK : 17.4 mm

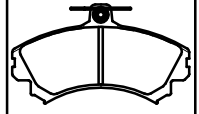
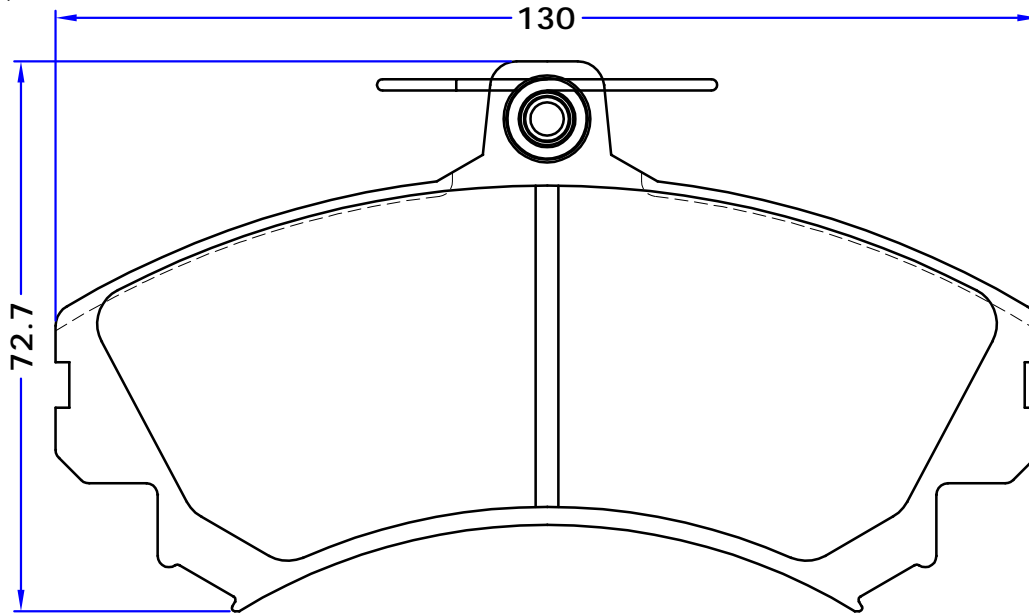
MITSUBISHI

COLT CZC Convertible (RG), 05/06 -

COLT VI (Z3_A, Z2_A), 06/04 -

SMART

FORFOUR (454), 01/04 -



LUCAS



OE REF:
MITSUBISHI
4605A734
MFR97717
MR977117
SMART
4544200920

4 PIECES

WWW.PARSLENT.COM