



# PARS LENT

BRAKE PADS

**PL 21754**

WVA No. : 21654 & 21655

THK : 16 mm

**EUNOS**

500 Saloon, 01/92 - 10/99

**FORD USA**

PROBE Mk II (ECP), 07/93 - 03/98

**MAZDA**

323 F/P Mk VI (BJ), 09/98 - 05/04

323 S Mk VI (BJ), 05/98 - 05/04

626 Mk IV (GE), 08/91 - 06/97

626 Mk IV Hatchback (GE), 08/91 - 04/97

626 Mk V (GF), 05/97 - 10/02

626 Mk V Estate (GW), 01/98 - 10/02

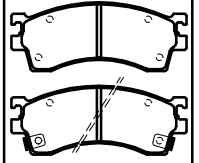
626 Mk V Hatchback (GF), 05/97 - 10/02

MX-6 (GD), 10/87 - 01/97

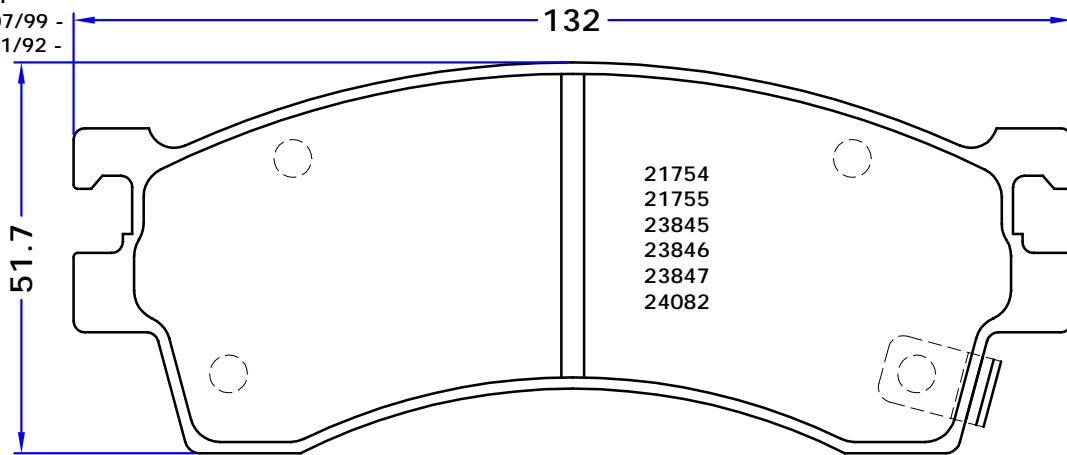
MX-6 (GE), 07/91 -

PREMACY (CP), 07/99 -

XEDOS 6 (CA), 01/92 -



SUMITOMO



2 OUTER PIECES

1 INNER PIECE WITH RIGHT WEAR INDICATOR SPRING

1 INNER PIECE WITH LEFT WEAR INDICATOR SPRING

[WWW.PARSLENT.COM](http://WWW.PARSLENT.COM)