



PARS LENT

BRAKE PADS

PL 21725-2

WVA No. : 21725 & 21013

THK : 15.6 mm

DAEWOO

REXTON (GAB_), 04/02 -

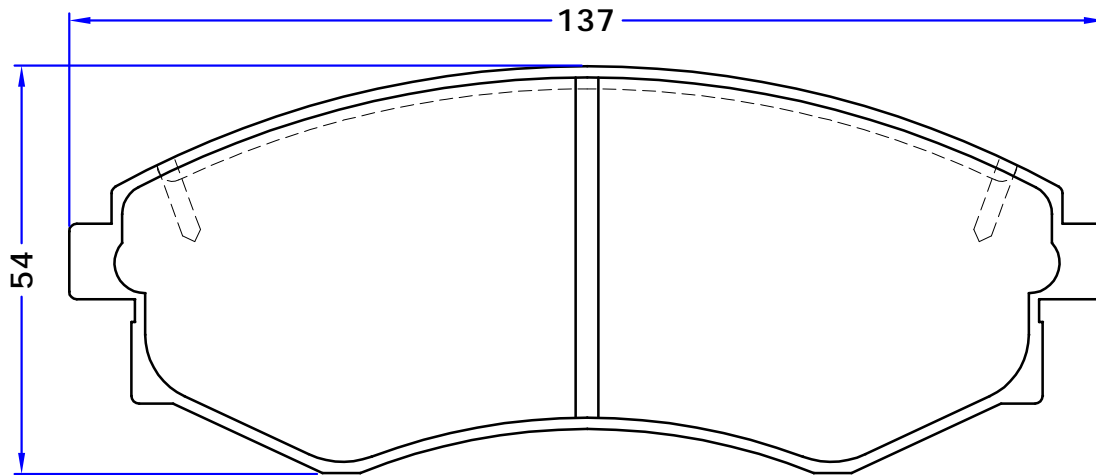
SSANGYONG

MUSO (FJ), 02/95 -

REXTON (GAB_), 04/02 -



SUMITOMO



- 2 OUTER PIECES
- 1 INNER PIECE WITH RIGHT WEAR INDICATOR SPRING
- 1 INNER PIECE WITH LEFT WEAR INDICATOR SPRING

OE REF:
SSANGYONG
4813008050
4813008150
4813008151

WWW.PARSLENT.COM