



PARS LENT

BRAKE PADS

PL 21561

WVA No. : 21561

THK : 17 mm

INFINITI

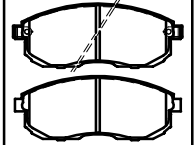
G Saloon, 09/98 - 12/02, I30, 01/97

NISSAN

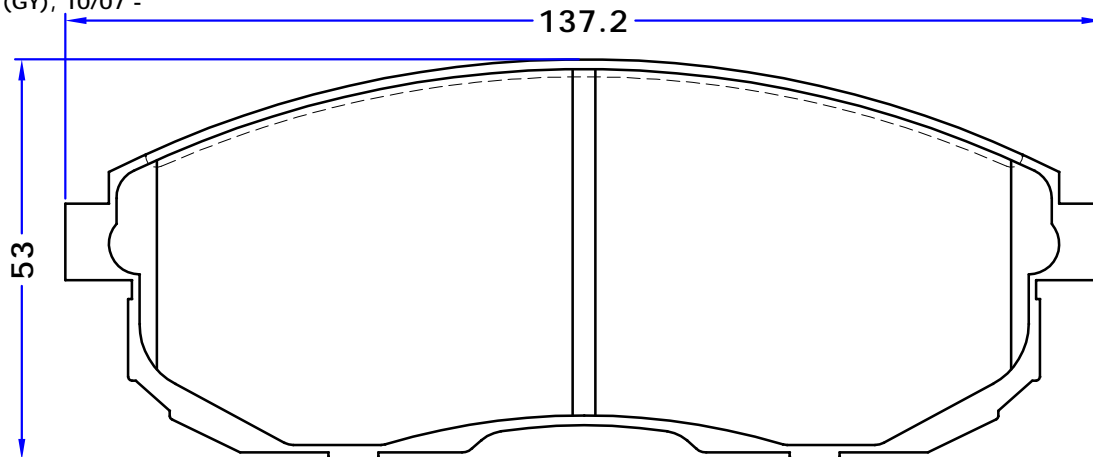
ALTIMA, 08/01 - 09/06, ALTIMA, 10/06 -, ALTIMA, 06/93 - 09/01, ALTIMA Coupe, 10/06 -
MAXIMA II (J30), 10/88 - 02/95, 200 SX (S13), 07/88 - 11/94, MAXIMA QX (A32), 03/94 -
08/00 SENTRA V (B15), 07/98 -
SENTRA VI (B16), 09/06 -

SUZUKI

SX4 Saloon (GY), 10/07 -



SUMITOMO



OE REF:

NISSAN

4106040U90
4106055F90
4106089E90
4106089E91
410608J090
D10602Y991
D106088E88
D106088E92
D1061ZX60A
D106M2Y991
D106M88E85

SUZUKI

5581080J00

- 2 OUTER PIECES
- 1 INNER PIECE WITH RIGHT WEAR INDICATOR SPRING
- 1 INNER PIECE WITH LEFT WEAR INDICATOR SPRING

WWW.PARSLENT.COM