



PARS LENT

BRAKE PADS

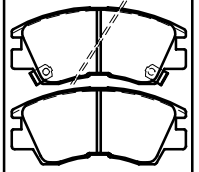
PL 21373

WVA No. : 21373

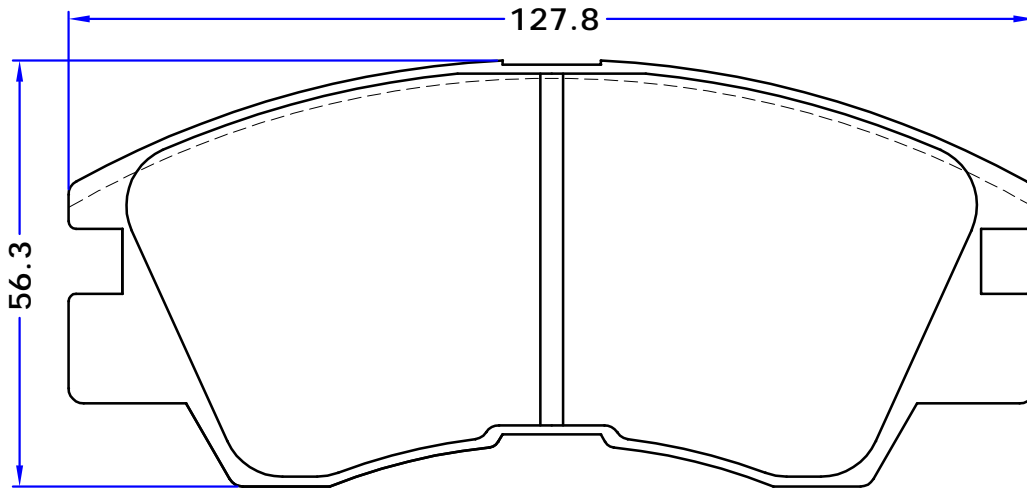
THK : 16.5 mm

MITSUBISHI

- L 200 (K3_T, K2_T, K1_T, K0_T), 10/86 - 10/96
- L 300 I Platform/Chassis (L03_P), 05/80 - 04/94
- L 300 II Box (P0_V, P1_V, P_2V), 11/86 - 02/06
- L 300 II Bus (P0_W, P1_W, P2_W), 11/86 - 05/04
- L 300 II Platform/Chassis (P1_T), 04/94 -
- PAJERO/SHOGUN Mk II Open Off-Road Vehicle (L04_G), 12/82 - 11/90
- PAJERO/SHOGUN (L04_G, L14_G), 12/82 - 12/91



SUMITOMO



**OE REF:
MITSUBISHI**

- DBP511111
- MB500812
- MB500813
- MB500814
- MB500815
- MB500816
- MB500819
- MR162523
- MR162524
- MR389523
- MR389524
- MR389526
- MZ690334
- X3511005

- 2 OUTER PIECES
- 1 INNER PIECE WITH RIGHT WEAR INDICATOR SPRING
- 1 INNER PIECE WITH LEFT WEAR INDICATOR SPRING

WWW.PARSLENT.COM