



# PARS LENT

## BRAKE PADS

**PL 21277**

WVA No. : 21277

THK : 15 mm

**FORD AUSTRALIA** (CAPRI Convertible  
(SA, SA II, SC, SE))

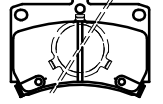
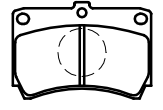
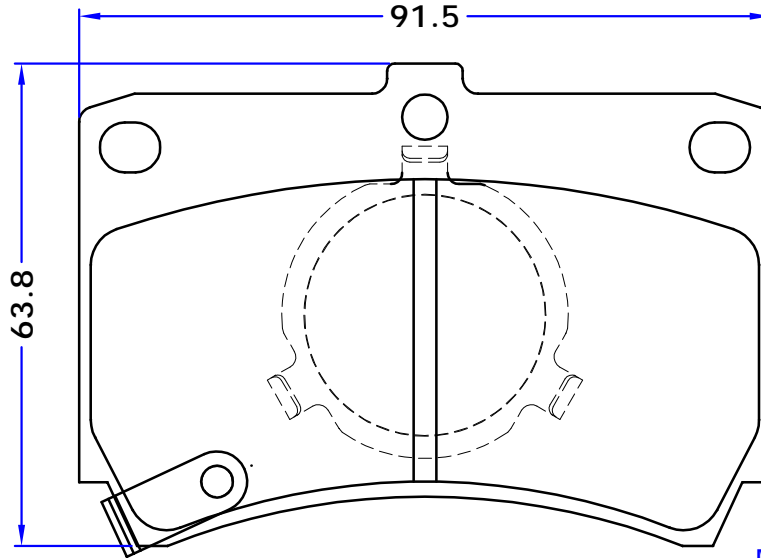
**MAZDA**

323 F Mk IV (BG), 06/89 - 10/94

323 Mk III (BF), 08/85 - 04/90

323 Mk III Estate (BW), 01/86 - 10/95

323 Mk III Hatchback (BF), 08/85 - 11/91



SUMITOMO



**OE REF:**

**FORD**

BG354928ZA

**MAZDA**

B0923328Z

B0923328ZA

B09249280

B09249280A

B0953328Z

B09549280

B1003328Z

B10049280

B10049280A

BG3449280

BG3449280A

BG3549280

BL533328Z

BL533328Z9A

**MITSUBISHI**

B5713323Z

BF6749280

BG35492809A

2 OUTER PIECES

1 INNER PIECE WITH RIGHT WEAR INDICATOR SPRING

1 INNER PIECE WITH LEFT WEAR INDICATOR SPRING

[WWW.PARSLENT.COM](http://WWW.PARSLENT.COM)